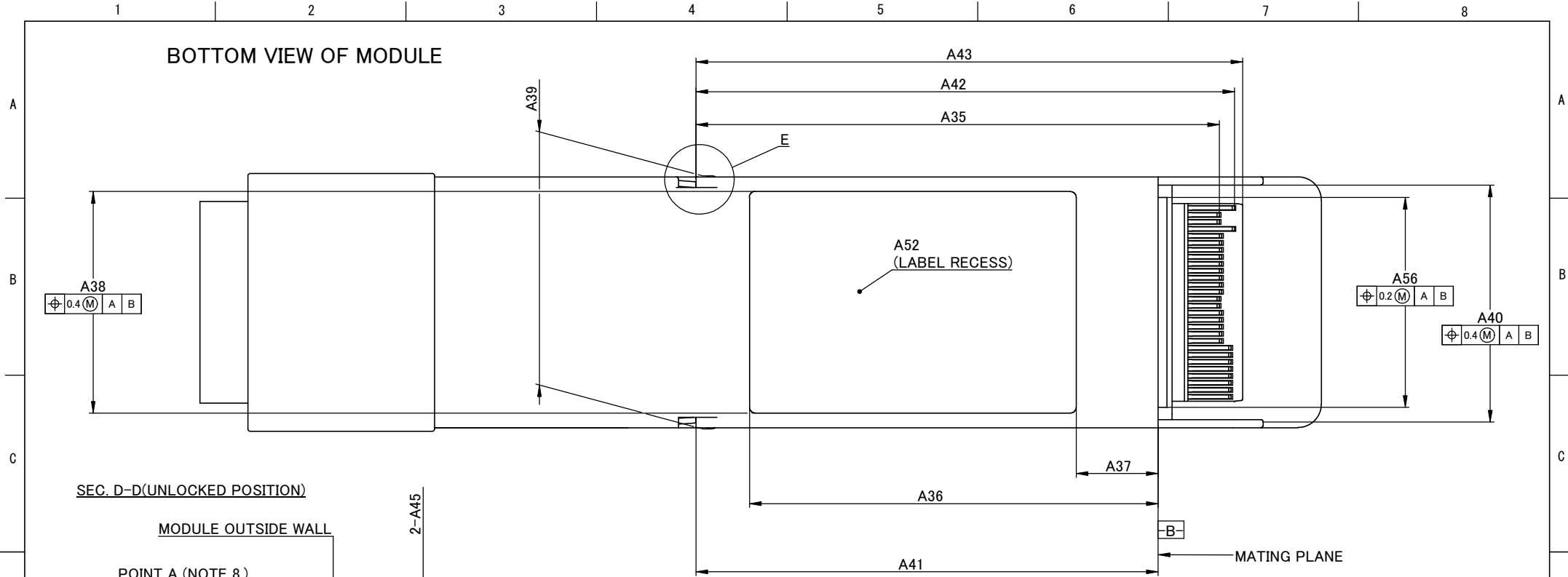
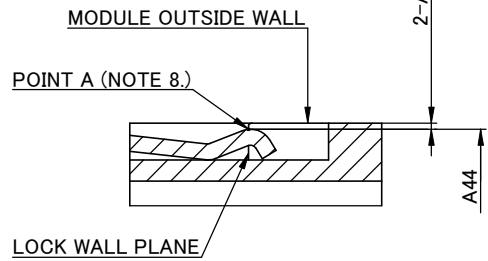


NOTES ARE SHOWN ON PAGE.2

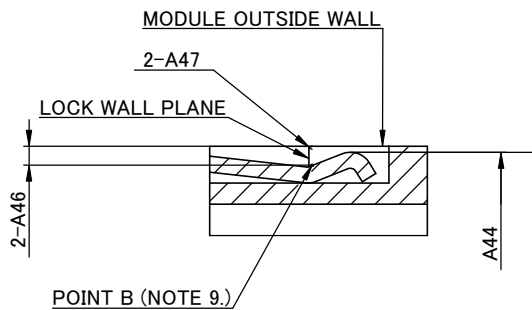
BOTTOM VIEW OF MODULE



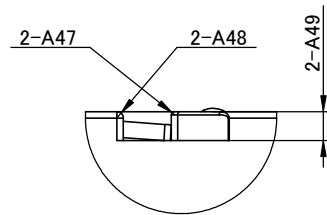
SEC. D-D (UNLOCKED POSITION)



SEC. D-D (LOCKED POSITION)




**DETAIL E
(CUTOUT FOR DATUM "-D-" INSPECTION)**



NOTE

1. 7 deg C MAXIMUM TEMPERATURE DELTA WITH NO HEATSINK AND 200LFM SIDEWAYS AIR FLOW. (DELTA TEMPERATURE SPECIFICATION TO BE VERIFIED WITH FIRST ARTICLES).
2. DRAFT ANGLE TO BE IN THE DECREASING MASS DIRECTION.
3. MODULE LATCH POSITION MUST INTEROPERATE WITH CFP4 CAGE SPECIFICATIONS.
4. SURFACE FLATNESS: "f" IS SPECIFIED IN CFP4 HARDWARE SPECIFICATION.
5. SURFACE ROUGHNESS: "r" IS SPECIFIED IN CFP4 HARDWARE SPECIFICATION.
6. DIMENSION APPLIES TO LATCH MECHANISM.
7. MAXIMUM OUTSIDE ENVELOP BETWEEN TWO OPPOSITE LATCHES.
8. "POINT A" IS AT THE VIRTUAL INTERSECTION OF LOCK WALL PLANE AND OUTER SURFACE OF LATCH.
9. "POINT B" IS AT THE VIRTUAL INTERSECTION OF LOCK WALL PLANE AND OUTER SURFACE OF LATCH.
10. GASKET TO MEET MINIMUM PEELS STRENGTH : 30 Oz/in or 335 gf/cm per ASTM D3330 test method.

 山一電機株式会社 YAMAICHI ELECTRONICS Co.,Ltd.	CLASS	CFP4-BASELINE-DRAWING	
	TITLE	CFP4 MODULE	Sheet No. 2/17 REV. P

A3-B1-SW006

A

B

C

D

E

F

A

B

C

D

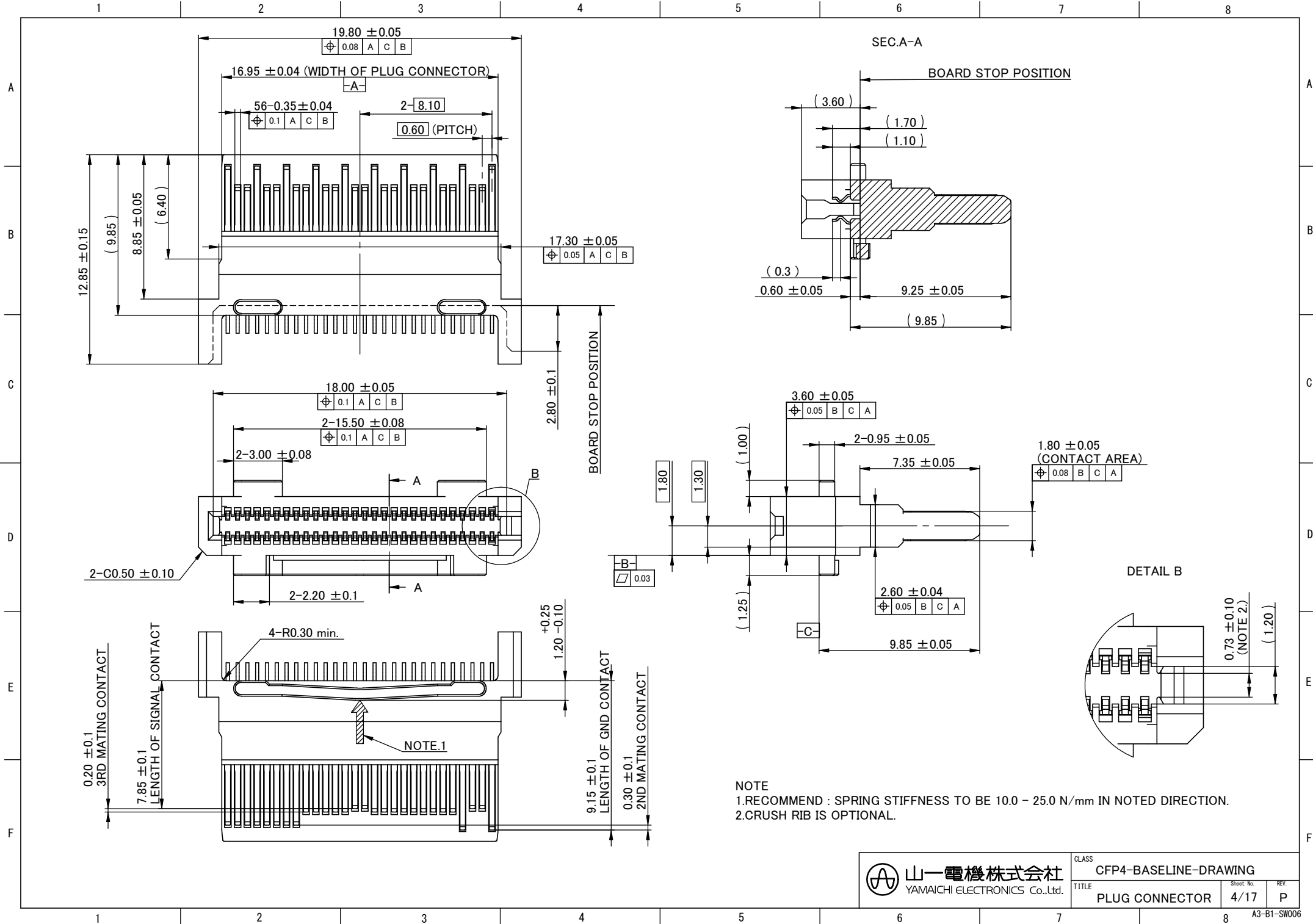
E

F

KEY	VALUE	TOLERANCE	DESCRIPTION
A01	22.10	MAX.	WIDTH OF MODULE FACEPLATE, OVERALL
A02	17.30	MAX.	OPTICAL CONNECTOR RECEPTACLE, OVERALL
A03	4.10	MAX.	OPTICAL CONNECTOR RECEPTACLE FROM MODULE FACEPLATE TOP FRONT SURFACE
A04	-	-	NOT USED
A05	-	-	NOT USED
A06	R2.00	±0.10	TOP MODULE LEAD-IN RADIUS
A07	21.50	±0.10(SEE NOTE 2)	WIDTH, MODULE BODY, OVERALL
A08	92.00	±0.20	LENGTH OF MODULE, OVERALL
A09	39.60	±0.10	LATCH POSITION FROM DATUM -B-
A10	9.50	±0.20	HEIGHT, MODULE BODY, OVERALL
A11	76.00	MIN.	HEIGHT OF MODULE TO OPTICAL CONNECTOR
A12	3.40	MAX.	HEIGHT OF OPTICAL CONNECTOR, TOP SIDE
A13	1.60	MAX.	HEIGHT OF OPTICAL CONNECTOR, BOTTOM SIDE
A14	-	-	NOT USED
A15	R1.00	±0.20	TOP MODULE LEAD-IN RADIUS
A16	R0.20	±0.10	TOP OF MODULE CORNER
A17	5.00	±0.10	START OF SIDE WALL
A18	C2.50	±0.20	SIDE WALL CHAMFER
A19	R0.20	±0.10	SIDE WALL LEAD-IN RADIUS
A20	C0.30	±0.10	MODULE OUTSIDE CHAMFER OR RADIUS
A21	C0.20	±0.10	MODULE OUTSIDE CHAMFER OR RADIUS
A22	16.95	±0.04	WIDTH, CONNECTOR, OVERALL
A23	20.10	±0.10(SEE NOTE 2)	WIDTH, MODULE SIDEWALL, OVERALL
A24	8.05	±0.20	DISTANCE FROM DATUM -C- TO BOTTOM SURFACE OF MODULE TAIL
A25	3.90	±0.15	DATUM -C- TO CENTER LINE OF CONNECTOR
A26	14.00	±0.20	DISTANCE FROM DATUM -B- TO MODULE END
A27	7.25	REF.	LENGTH OF CONNECTOR END FROM DATUM -B-
A28	0.75	±0.10	EMI-GASKET PROTECT
A29	0.75	±0.10	EMI-GASKET PROTECT
A30	2.00	MIN.	WIDTH OF LATCH
A31	-	-	NOT USED
A32	0.65	+0.15 / -0.3	MODULE OUTSIDE WALL SLOPE
A33	1.50	REF.	WIDTH OF CUTOUT
A34	20deg	±10deg.	MODULE OUTSIDE WALL SLOPE
A35	44.85	±0.20	LENGTH OF CONNECTOR SIGNAL PIN FROM DATUM -D-
A36	35.00	MAX.	LABEL RECESS FROM DATUM -B-
A37	7.00	±5.00	LABEL RECESS FROM DATUM -B-
A38	19.00	MAX.	LABEL RECESS WIDTH
A39	21.60	MAX.(SEE NOTE 7)	LATCH SURFACE
A40	20.30	MIN.	DENT TO AVOID EMI-GASKET PROTECT OF COVER
A41	39.60	REF.	LATCH POSITION FROM DATUM -B-
A42	46.15	±0.2	LENGTH OF CONNECTOR GND PIN FROM DATUM -D-
A43	46.85	±0.15	LENGTH OF CONNECTOR FROM DATUM -D-
A44	21.60	MAX.(SEE NOTE 6,7)	LATCH SURFACE
A45	0.05	MAX.(SEE NOTE 6,8)	MODULE OUTSIDE WALL TO POINT A
A46	0.65	±0.20(SEE NOTE 6,9)	MODULE OUTSIDE WALL TO POINT B
A47	R0.10	+0.05/-0.10	LOCK WALL RADIUS
A48	R0.20	±0.10	CUTOUT OF INSPECTION WALL RADIUS
A49	1.40	REF.	MINIMUM CUTOUT FOR DATUM -D- INSPECTION
A50	7.80	MIN.	END OF LOCK WALL POSITION, TOP
A51	2.30	MAX.	END OF LOCK WALL POSITION, BOTTOM
A52	0.25	±0.15	LABEL RECESS DEPTH (THE LABEL SHOULD NOT PROTRUDE FROM DATUM -C-)
A53	5.05	±0.30(SEE NOTE 6)	LATCH CENTER LINE FROM DATUM -C-
A54	0.70	±0.10	POSITION OF THE WALL OF SIDE FROM THE MODULE BOTTOM
A55	1.20	±0.40	THICKNESS OF THE EMI-GASKET
A56	18.00	MAX.	WIDTH OF THE PROTECTED OF EMI-GASKET
A57	3.70	MIN.	LOCK WALL, BOTTOM
A58	6.40	MAX.	LOCK WALL, TOP

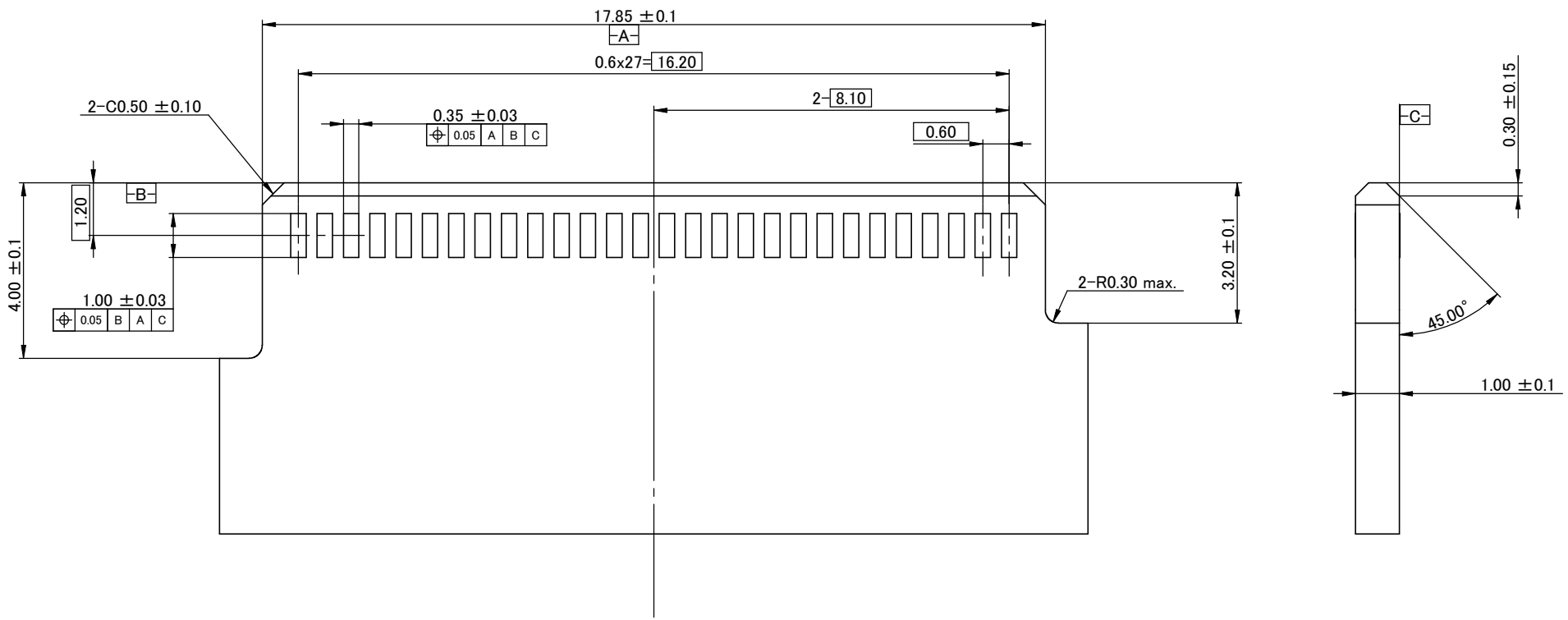



CLASS CFP4-BASELINE-DRAWING
 TITLE MODULE
 Sheet No. 3/17
 REV. P



1 2 3 4 5 6 7 8

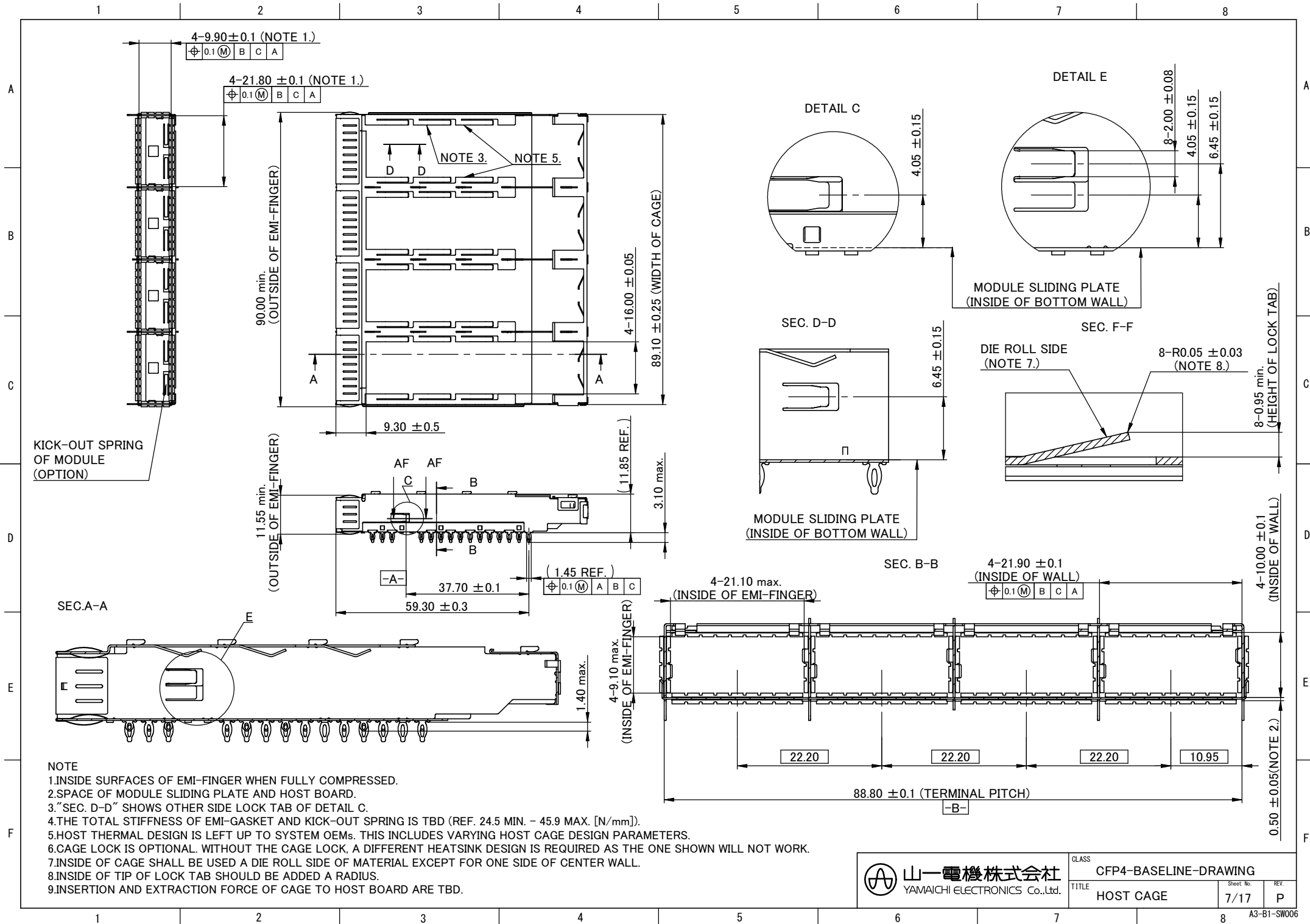
A
B
C
D
E
F



 山一電機株式会社 YAMAICHI ELECTRONICS Co.,Ltd.	CLASS	CFP4-BASELINE-DRAWING	
	TITLE	MODULE BOARD	Sheet No. 5/17 REV. P

A3-B1-SW006

1 2 3 4 5 6 7 8



NOTE

- INSIDE SURFACES OF EMI-FINGER WHEN FULLY COMPRESSED.
- SPACE OF MODULE SLIDING PLATE AND HOST BOARD.
- "SEC. D-D" SHOWS OTHER SIDE LOCK TAB OF DETAIL C.
- THE TOTAL STIFFNESS OF EMI-GASKET AND KICK-OUT SPRING IS TBD (REF. 24.5 MIN. - 45.9 MAX. [N/mm]).
- HOST THERMAL DESIGN IS LEFT UP TO SYSTEM OEMs. THIS INCLUDES VARYING HOST CAGE DESIGN PARAMETERS.
- CAGE LOCK IS OPTIONAL. WITHOUT THE CAGE LOCK, A DIFFERENT HEATSINK DESIGN IS REQUIRED AS THE ONE SHOWN WILL NOT WORK.
- INSIDE OF CAGE SHALL BE USED A DIE ROLL SIDE OF MATERIAL EXCEPT FOR ONE SIDE OF CENTER WALL.
- INSIDE OF TIP OF LOCK TAB SHOULD BE ADDED A RADIUS.
- INSERTION AND EXTRACTION FORCE OF CAGE TO HOST BOARD ARE TBD.

1 2 3 4 5 6 7 8

A

B

C

D

E

F

A

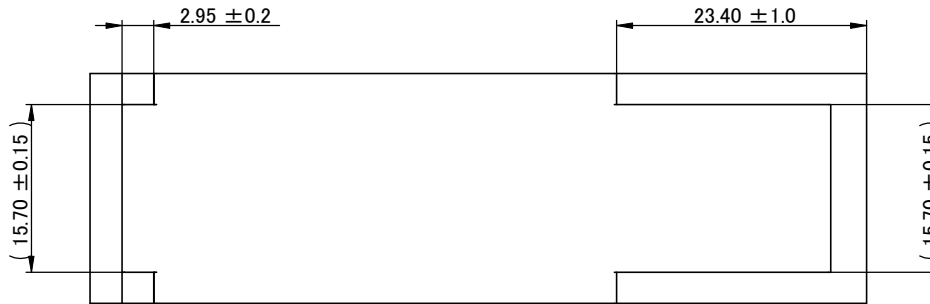
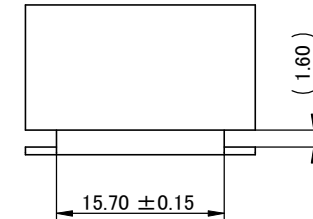
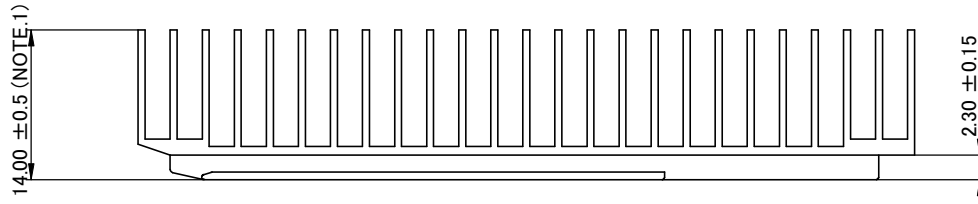
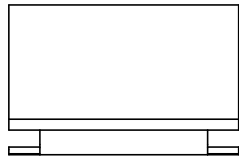
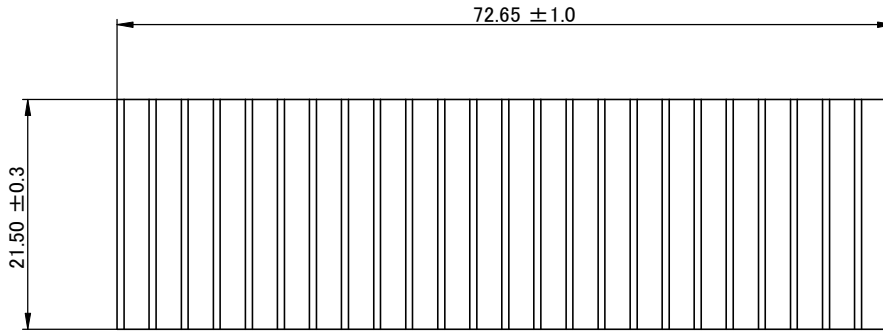
B

C


D

E

F

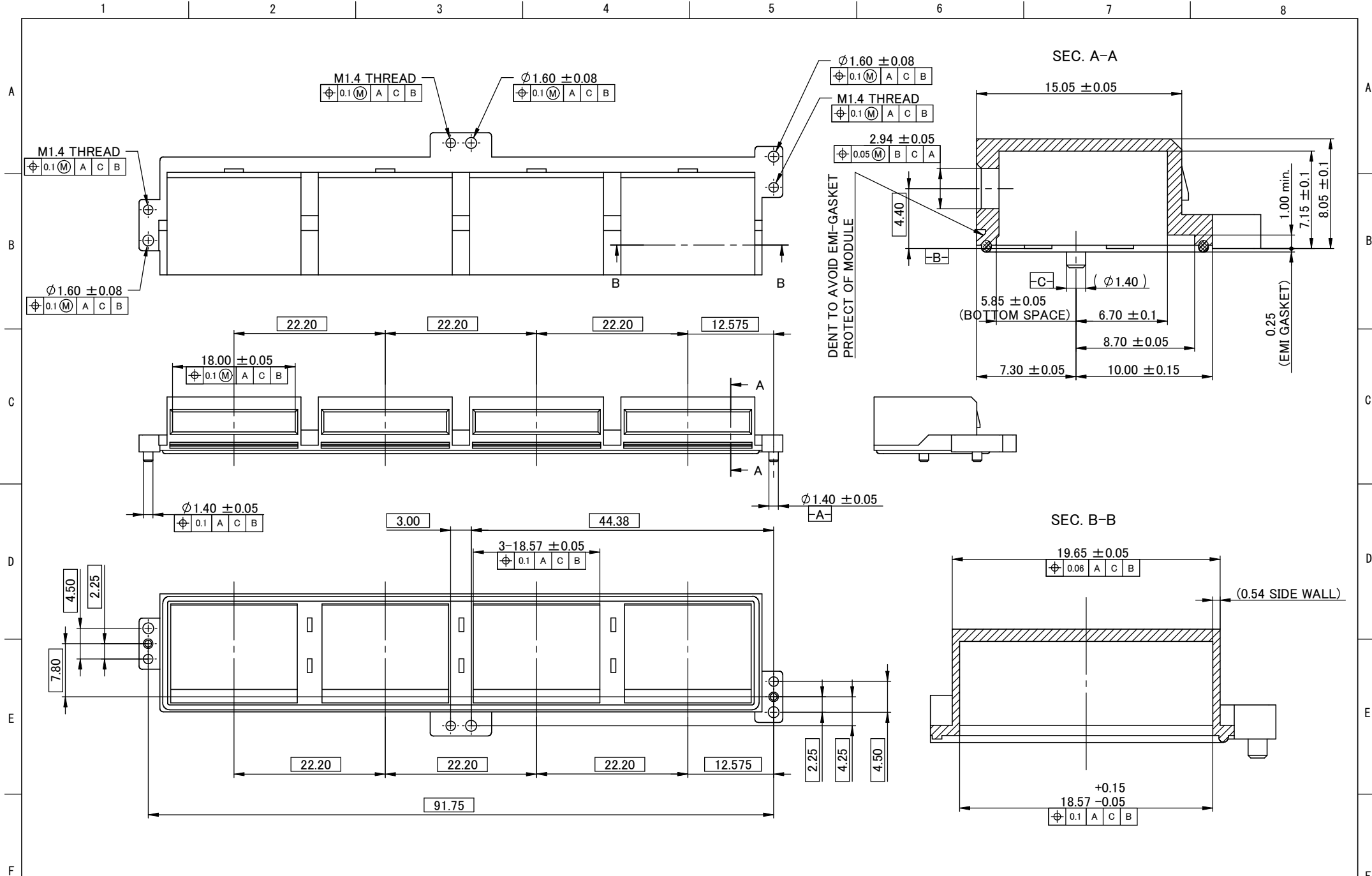


NOTE
1.HOST THERMAL DESIGN IS LEFT UP TO SYSTEM OEMs. THIS INCLUDES VARYING HOST CAGE DESIGN PARAMETERS.


 山一電機株式会社 YAMAICHI ELECTRONICS Co.,Ltd.	CLASS	CFP4-BASELINE-DRAWING	
	TITLE	HEATSINK	Sheet No. 8/18 REV. P

A3-B1-SW006

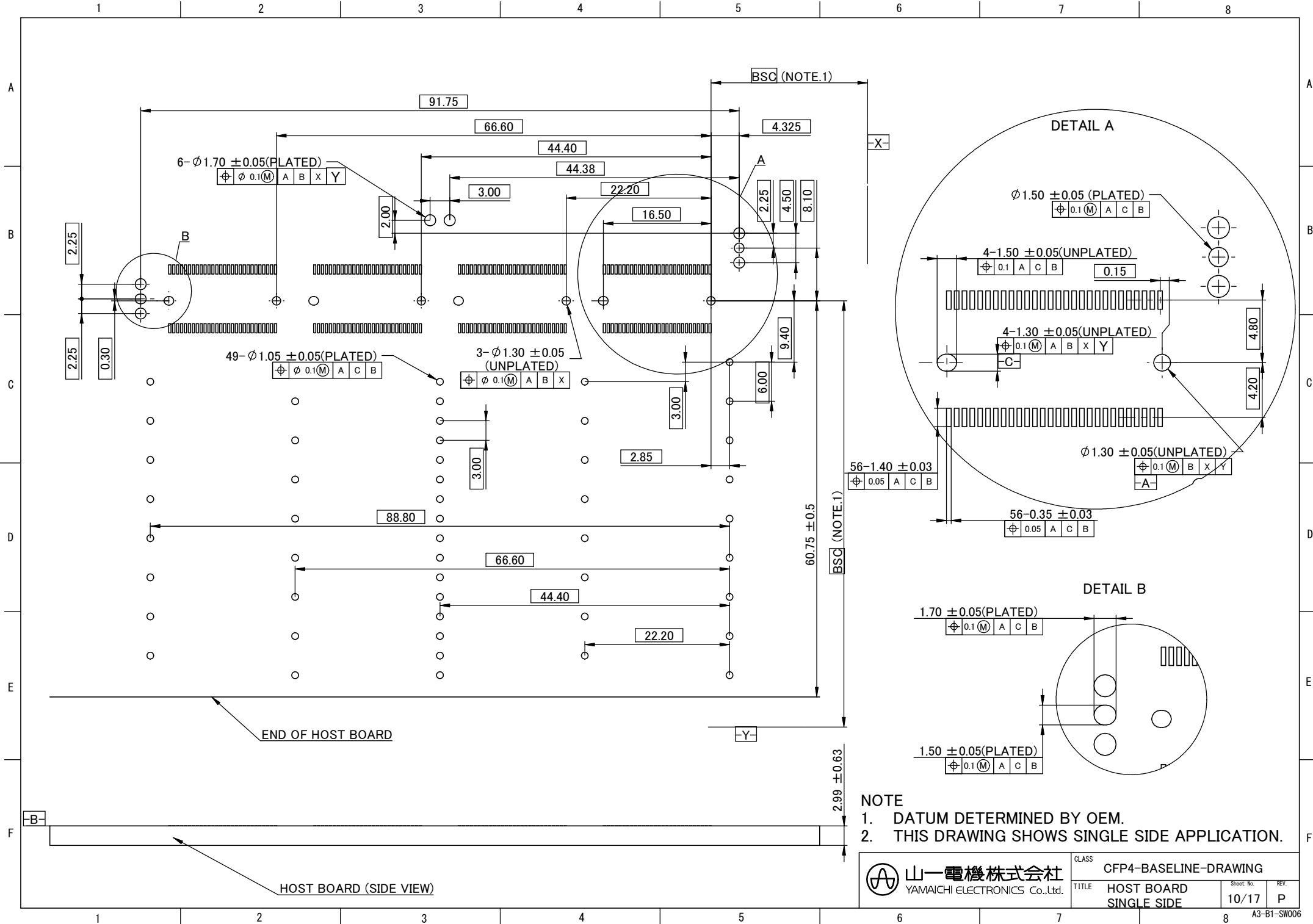
1 2 3 4 5 6 7 8



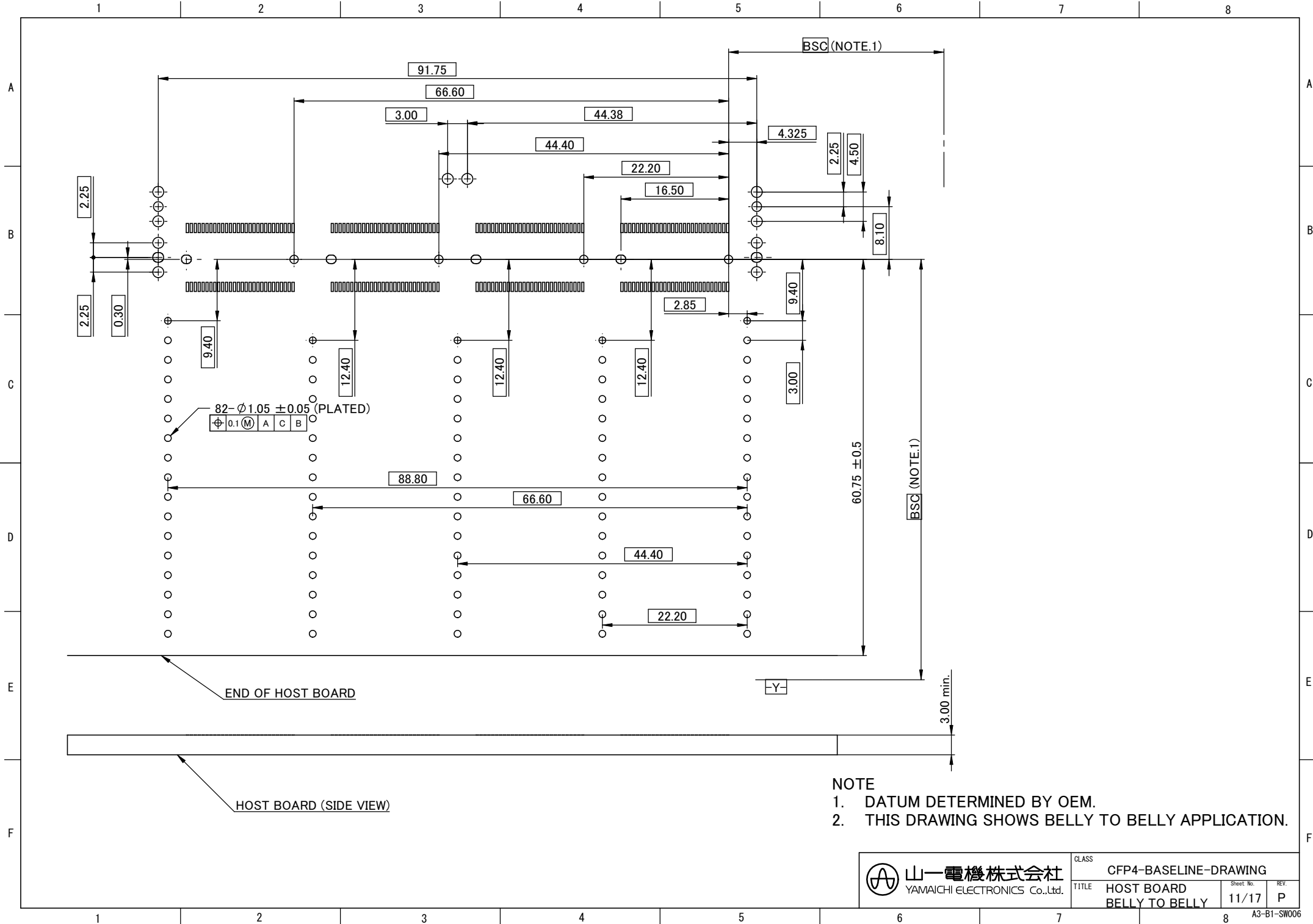
NOTE
 1. MAXIMUM DELTA DEFLECTION OF HOST CONNECTOR COVER AFTER SCREW MOUNT ON HOST BOARD IS 0.02mm.

 山一電機株式会社 YAMAICHI ELECTRONICS Co.,Ltd.	CLASS CFP4-BASELINE-DRAWING
	TITLE HOST CONNECTOR COVER
Sheet No. 9/17	REV. P

A3-B1-SW006



NOTE
 1. DATUM DETERMINED BY OEM.
 2. THIS DRAWING SHOWS SINGLE SIDE APPLICATION.



1 2 3 4 5 6 7 8

A

A

B

B

C

C

D

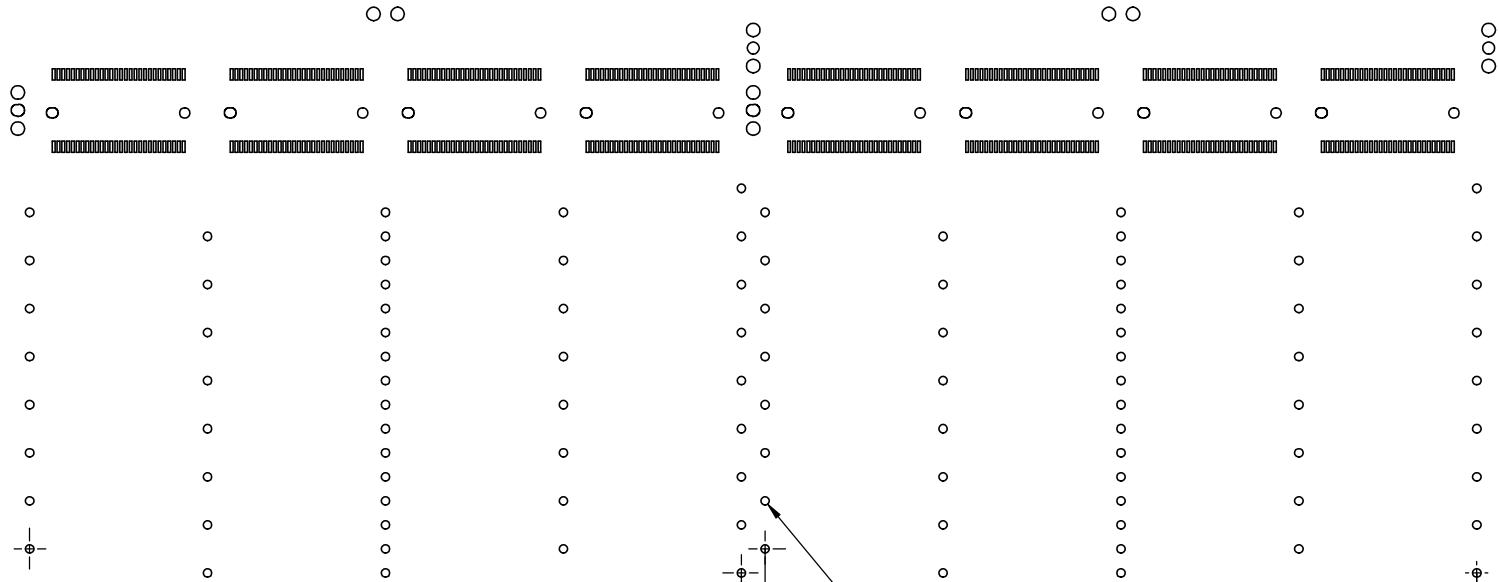
D

E

E

F

F



END OF HOST BOARD

N x 49 - Ø 1.05 ± 0.05 (PLATED)

Ø 0.1	M	A	C	B
-------	---	---	---	---

88.80

91.75 (GANGED PITCH)

NOTE
1. THIS DRAWING SHOWS SIDE BY SIDE APPLICATION.



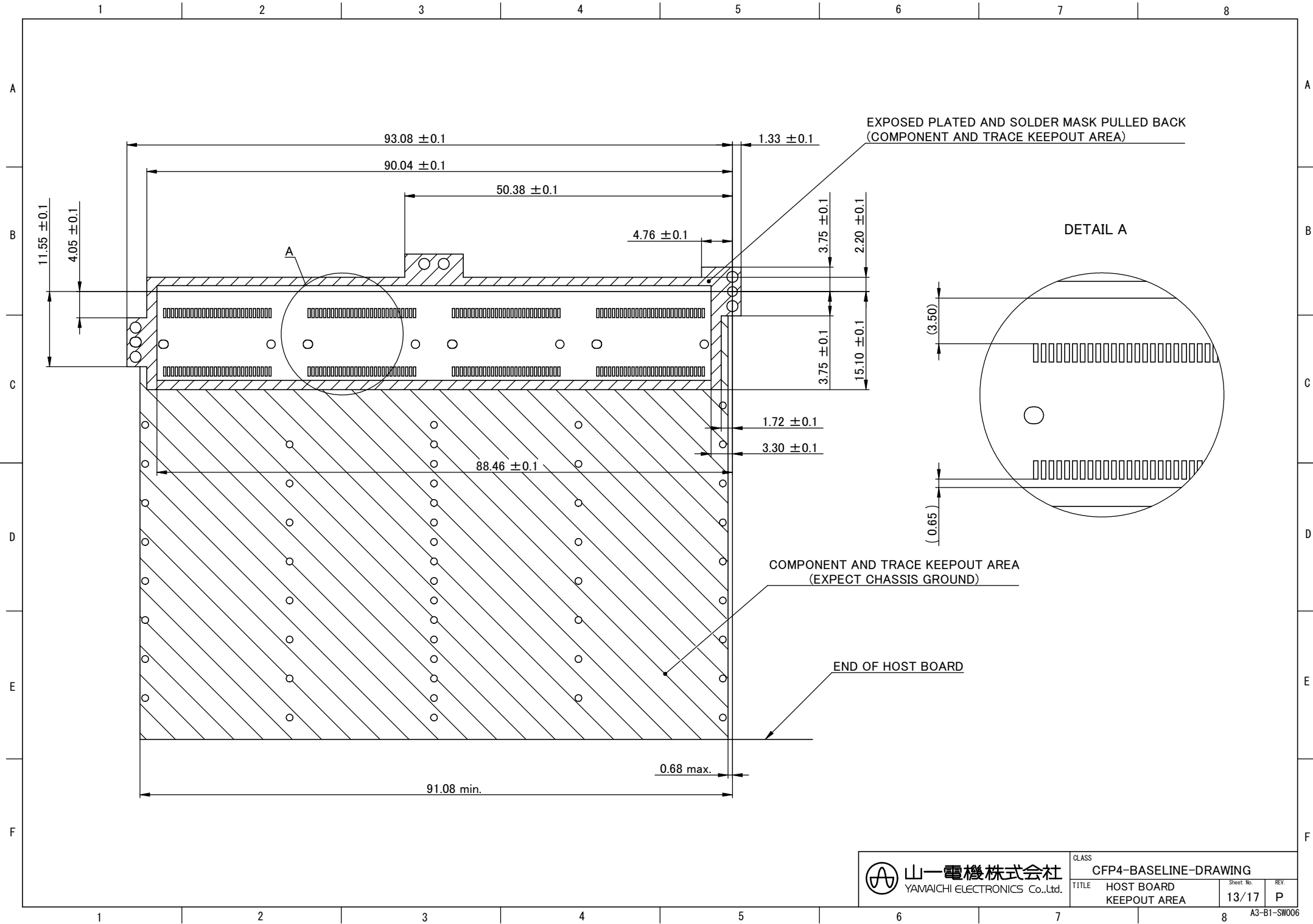
CLASS CFP4-BASELINE-DRAWING

TITLE HOST BOARD
SIDE BY SIDE

Sheet No.	REV.
12/17	P

1 2 3 4 5 6 7 8

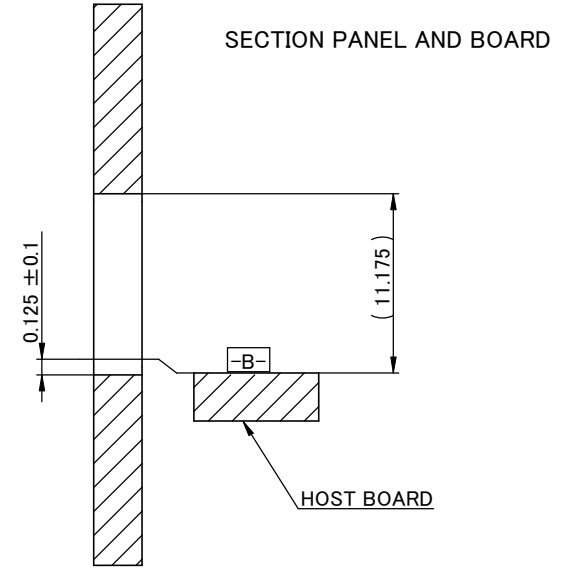
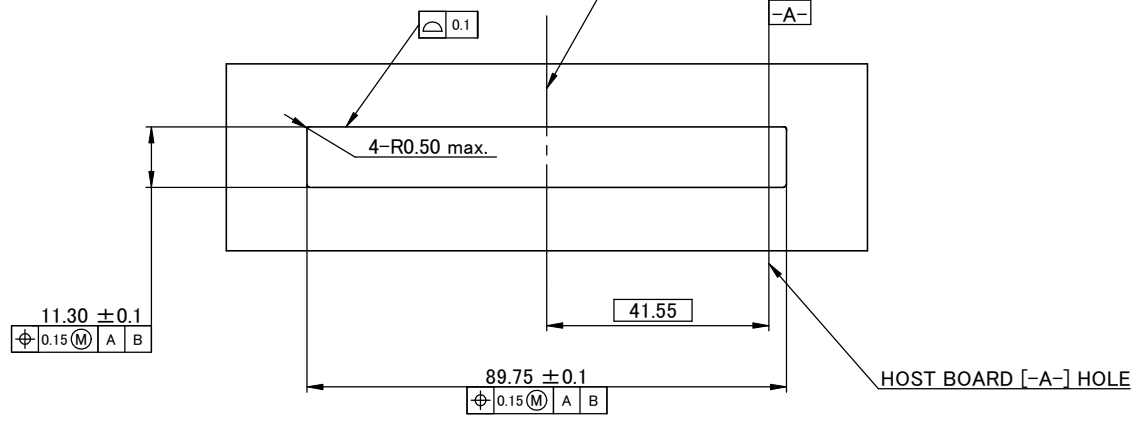
A3-B1-SW006



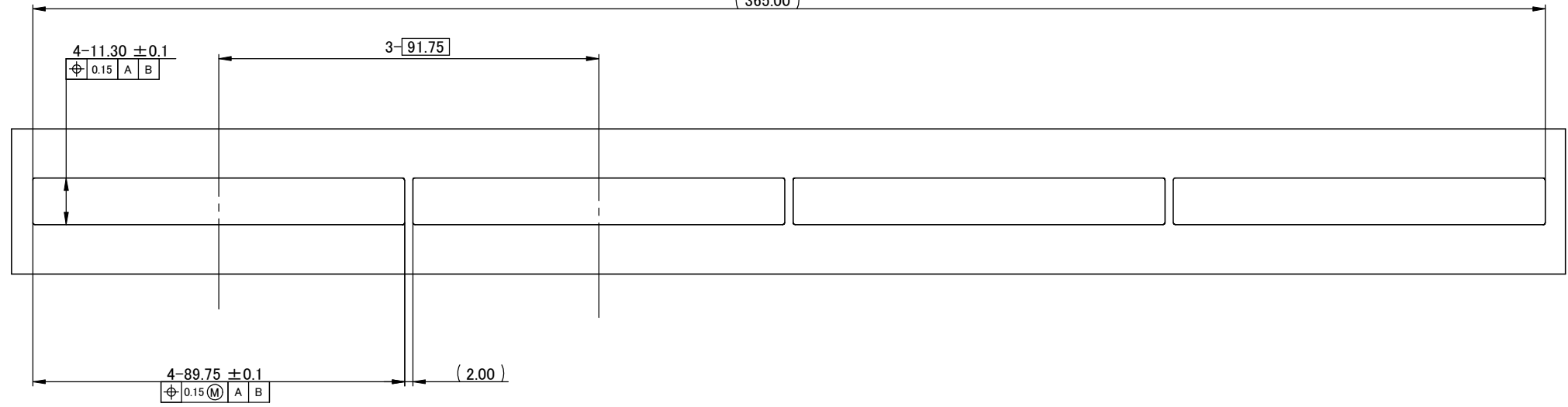
 山一電機株式会社 YAMAICHI ELECTRONICS Co.,Ltd.	CLASS	CFP4-BASELINE-DRAWING	
	TITLE	HOST BOARD	Sheet No.
	KEEP-OUT AREA	13/17	REV.
		P	A3-B1-SW006

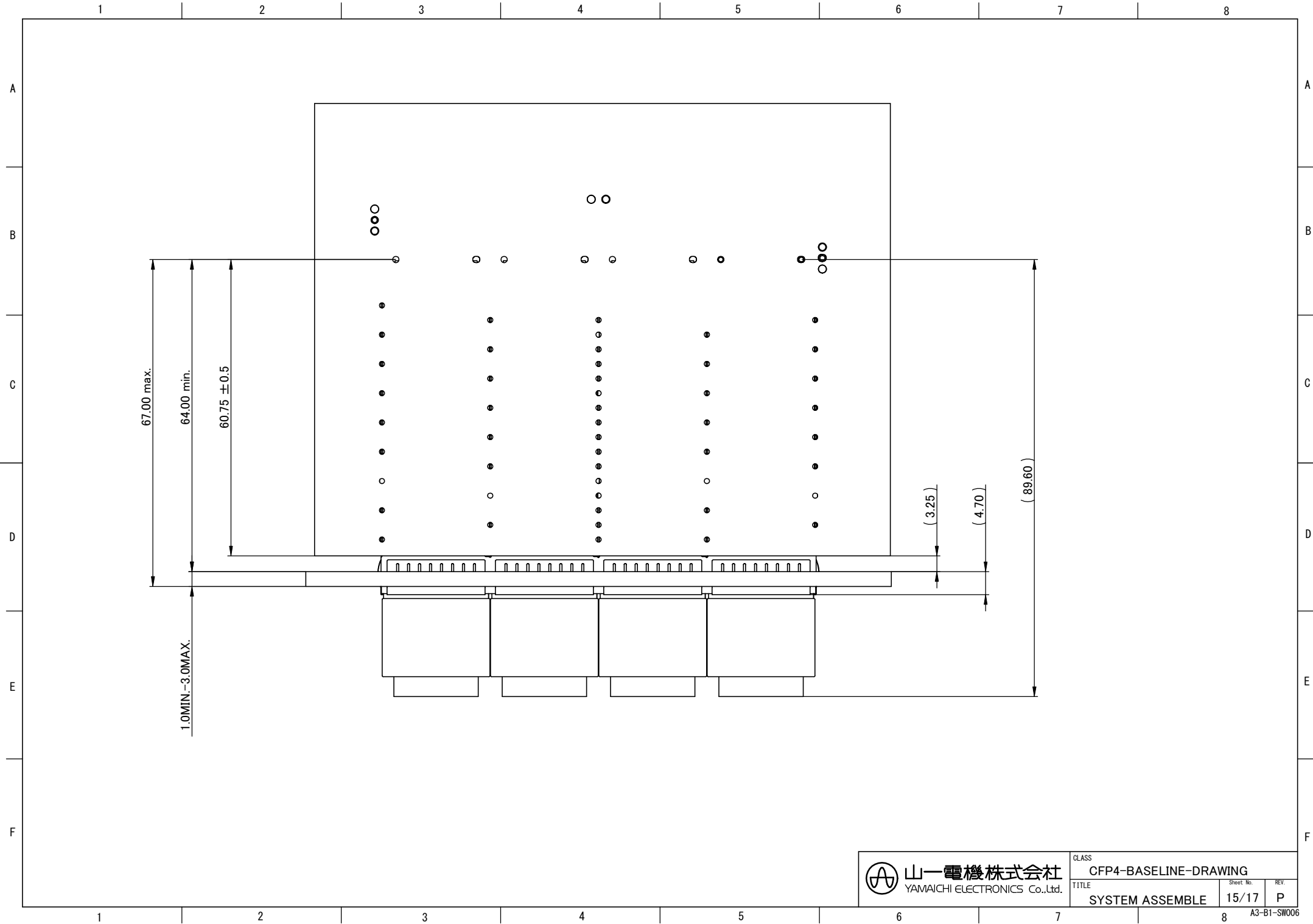
PANEL THICKNESS:1.0-3.0

PANEL OPENING IS LOCATED FROM HOST BOARD [-A-] HOLE



(365.00)






 山一電機株式会社
 YAMAICHI ELECTRONICS Co.,Ltd.

CLASS	CFP4-BASELINE-DRAWING		
TITLE	SYSTEM ASSEMBLE	Sheet No.	REV.
		15/17	P

1 2 3 4 5 6 7 8

A

B

C

D

E

F

A

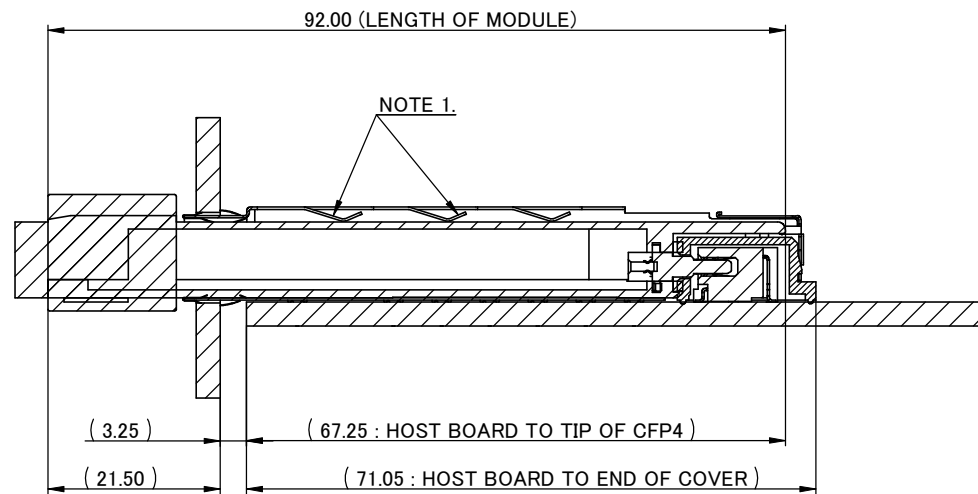
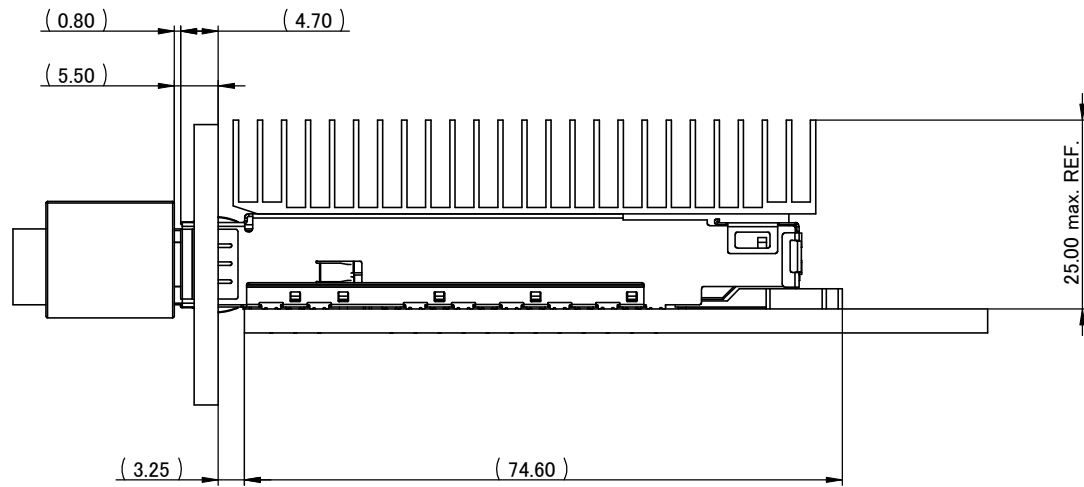
B

C

D

E


F



SECTION OF CENTER

NOTE

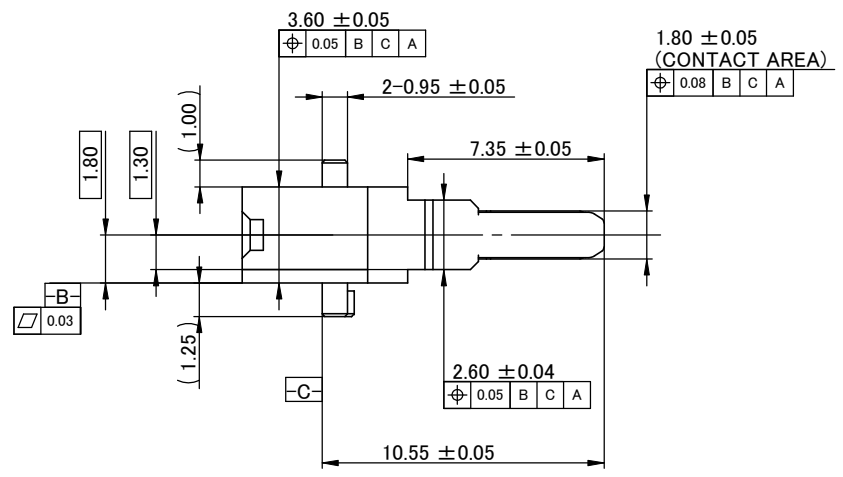
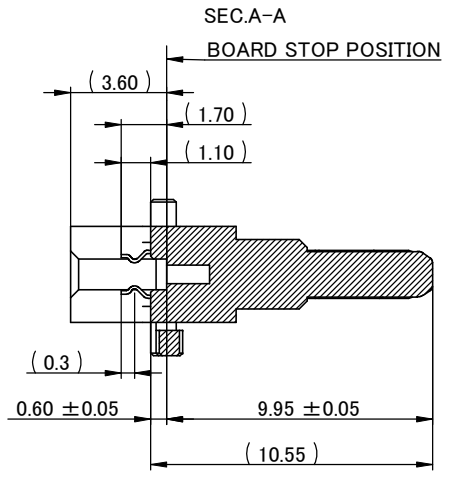
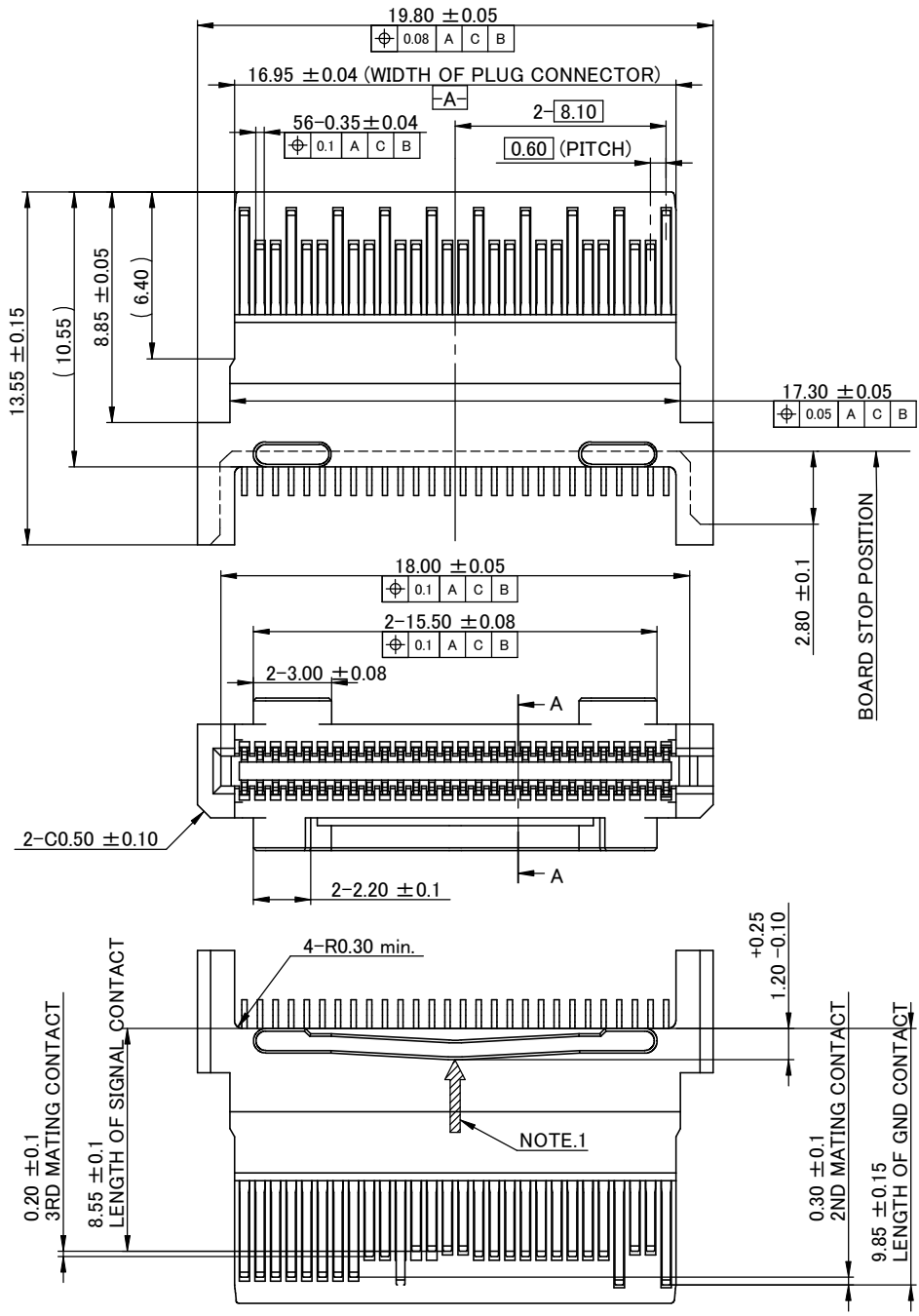
1.THE STRUCTURE OF HEAT-SINK LOCK AND PUSHER IS OPTIONAL. WITHOUT THE CAGE LOCK, A DIFFERENT HEATSINK DESIGN IS REQUIRED AS THE ONE SHOWN WILL NOT WORK.

 山一電機株式会社 YAMAICHI ELECTRONICS Co.,Ltd.	CLASS		CFP4-BASELINE-DRAWING	
	TITLE		Sheet No.	REV.
SYSTEM ASSEMBLE		16/17	P	

A3-B1-SW006

1 2 3 4 5 6 7 8

Informative Annex



NOTE

- 1.THIS CONNECTOR IS INFORMATIVE PLUG CONNECTOR WHICH CAN BE USED WITH HOST CONNECTOR ON PAGE 6.
- 2.RECOMMENDED PCB, SEE PAGE 5.
- 3.RECOMMEND : SPRING STIFFNESS TO BE 10.0 - 25.0 N/mm IN NOTED DIRECTION.