

PROPOSAL OF CFP4
Ver.2.3

April 16th 2012
YAMAICHI ELECTRONICS
Toshiyasu Ito

PROPOSAL of YAMAICHI

YAMAICHI propose as follows:

YE calculated dimensions of each parts by MSA, FINISAR and Connector technical requirements.

1. Side walls are 0.75mm (Host connector),0.65mm(Cover) and 0.5mm(Module).
2. Clearance of one side is:
 - 0.05mm(Plug and Host connector)
 - 0.25mm (Host connector and Cover)
 - 0.15mm (Cover and Module, Module and Cage)

RESULT:

Changed from “CFP MSA baseline specifications 6”

1. Width of module (CFP4) change to 21.7mm.
2. Host ganged pitch change to 22.25mm.
3. Total width changed to 364.05mm with Cage.

Item	Dimension	CFP4-4 port
Plug connector	Span of contact(0.6xN)	16.20
	Side wall of Housing	0.20
	Plug connector width	17.00
Host connector	Clearance of one side	0.05
	Host connector SLOT	17.10
	Side wall of Host connector	0.75
	Host connector width	18.60
Cover	Clearance of one side	0.25
	Inside of Cover	19.10
	Side wall of Cover	0.65
	Cover width	20.40
Module	Clearance of one side	0.15
	Inside Width of Module	20.70
	Side wall of Module	0.50
	Module Width	21.70
Cage	Clearance of one side	0.15
	Inside Width of Cage	22.00
	Thickness of Cage metal	0.25
	Host ganged cage pitch	22.25
	Width of 4 ports Cage	89.25
	Clearance	2.35
	Host ganged 4port-cage pitch	91.60
	Width of 16 ports Module	363.25
Width of 16 ports Cage	364.05	

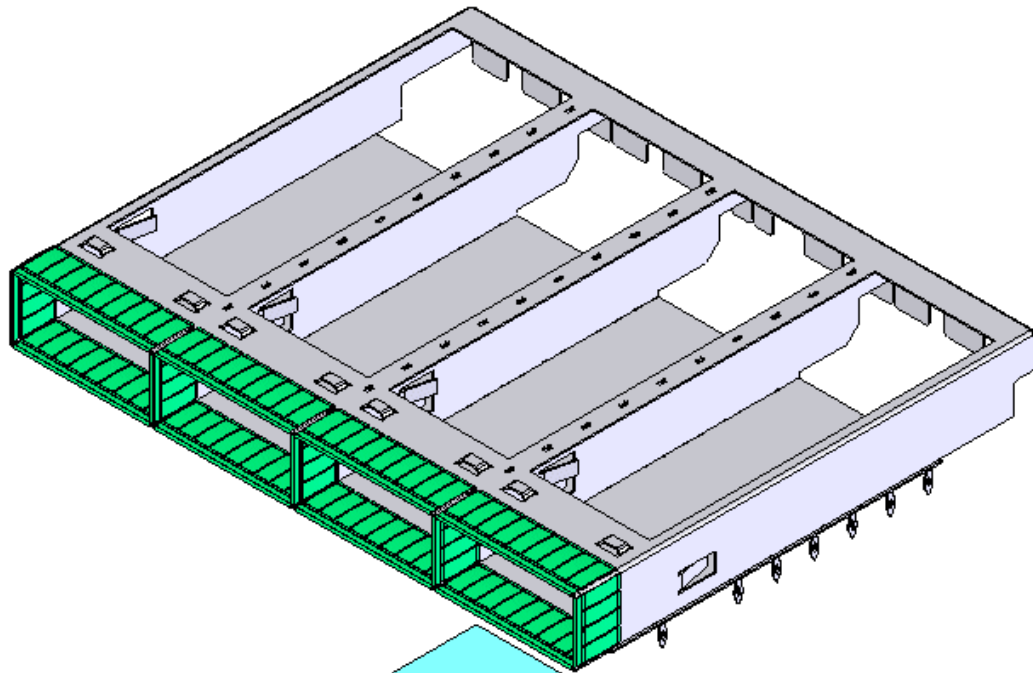
MATING SEQUENCE

CFP4	
Top	
56	GND
55	TX3n
54	TX3p
53	GND
52	TX2n
51	TX2p
50	GND
49	TX1n
48	TX1p
47	GND
46	TX0n
45	TX0p
44	GND
43	(REFCLKn)
42	(REFCLKp)
41	GND
40	RX3n
39	RX3p
38	GND
37	RX2n
36	RX2p
35	GND
34	RX1n
33	RX1p
32	GND
31	RX0n
30	RX0p
29	GND

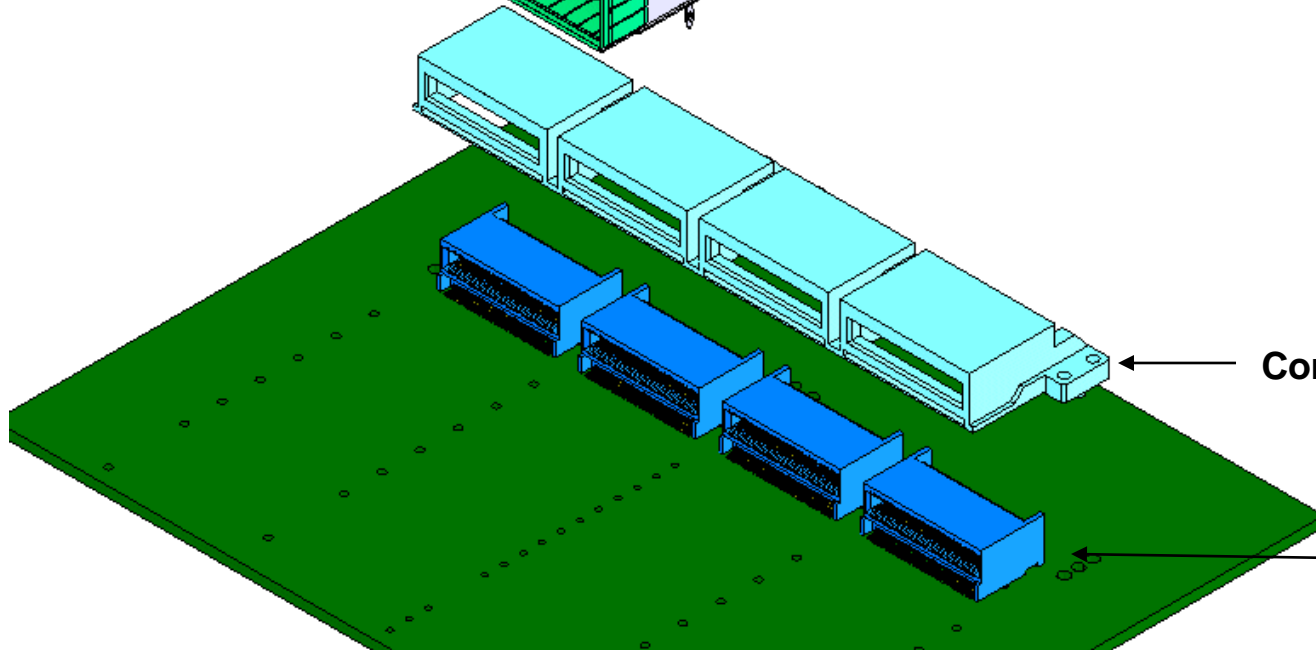
CFP4		SEQUENCE
Top ALT1		SEQUENCE
GND		1
TX0n		4
TX0p		4
GND		1
TX1n		4
TX1p		4
GND		1
TX2n		4
TX2p		4
GND		1
TX3n		4
TX3p		4
GND		1
(REFCLKn)		4
(REFCLKp)		4
GND		1
RX3p		4
RX3n		4
GND		1
RX2p		4
RX2n		4
GND		1
RX1p		4
RX1n		4
GND		1
RX0p		4
RX0n		4
GND		1

CFP4		SEQUENCE
Bottom		SEQUENCE
1	3.3V_GND	2
2	3.3V_GND	2
3	3.3V	2
4	3.3V	2
5	3.3V	2
6	3.3V	2
7	3.3V_GND	2
8	3.3V_GND	2
9	VND_IO_A	3
10	VND_IO_B	3
11	TX_DIS	3
12	RX_LOS	3
13	GLB_ALRMn	3
14	MOD_LOPWR	4
15	MOD_ABS	4
16	MOD_RSTn	3
17	MDC	3
18	MDIO	3
19	PRTADR0	3
20	PRTADR1	3
21	PRTADR2	3
22	VND_IO_C	3
23	VND_IO_D	3
24	VND_IO_E	3
25	GND	1
26	(MCLKn)	4
27	(MCLKp)	4
28	GND	1

MOUNTING METHOD



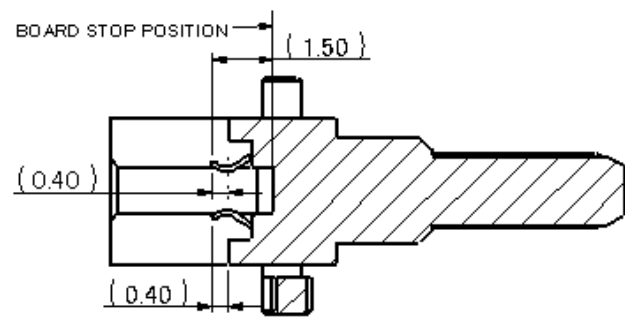
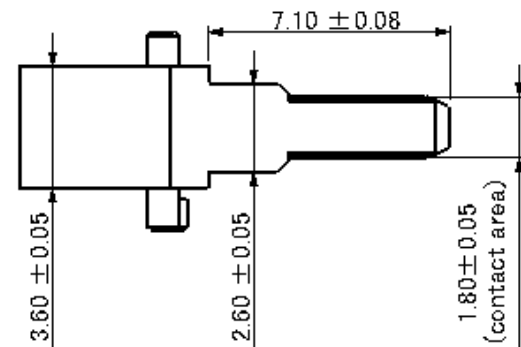
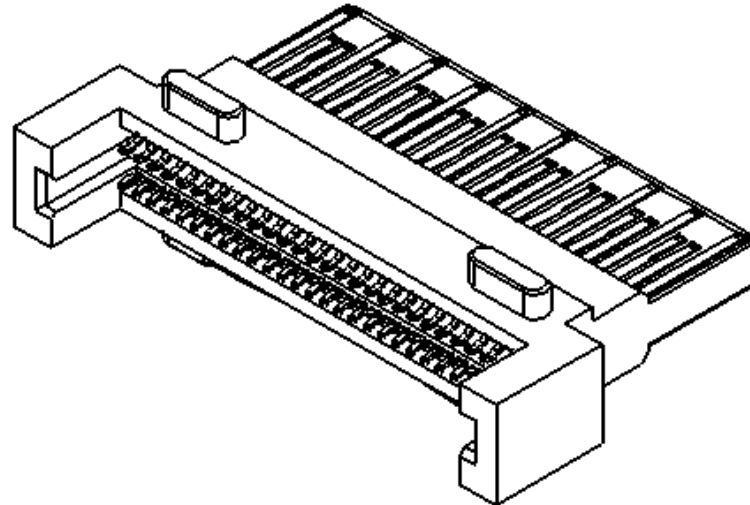
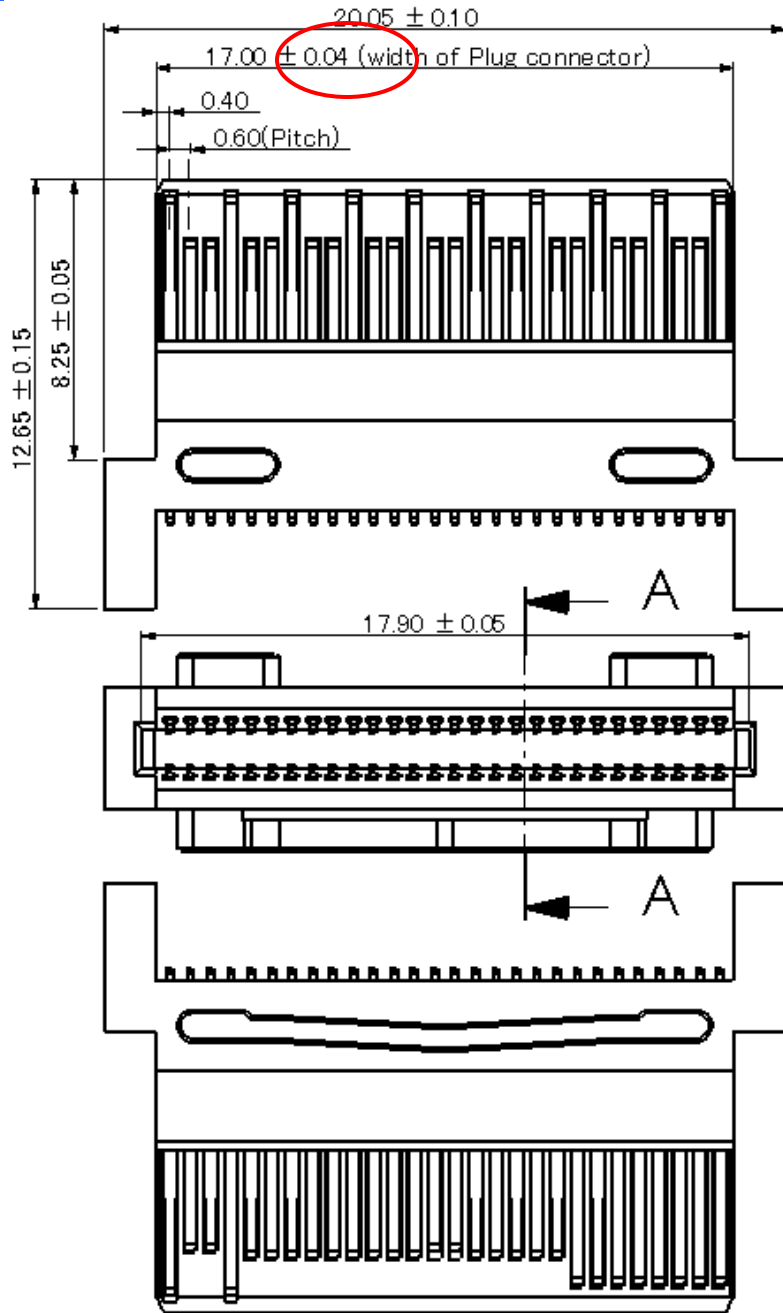
← Cage mount by Press-fit



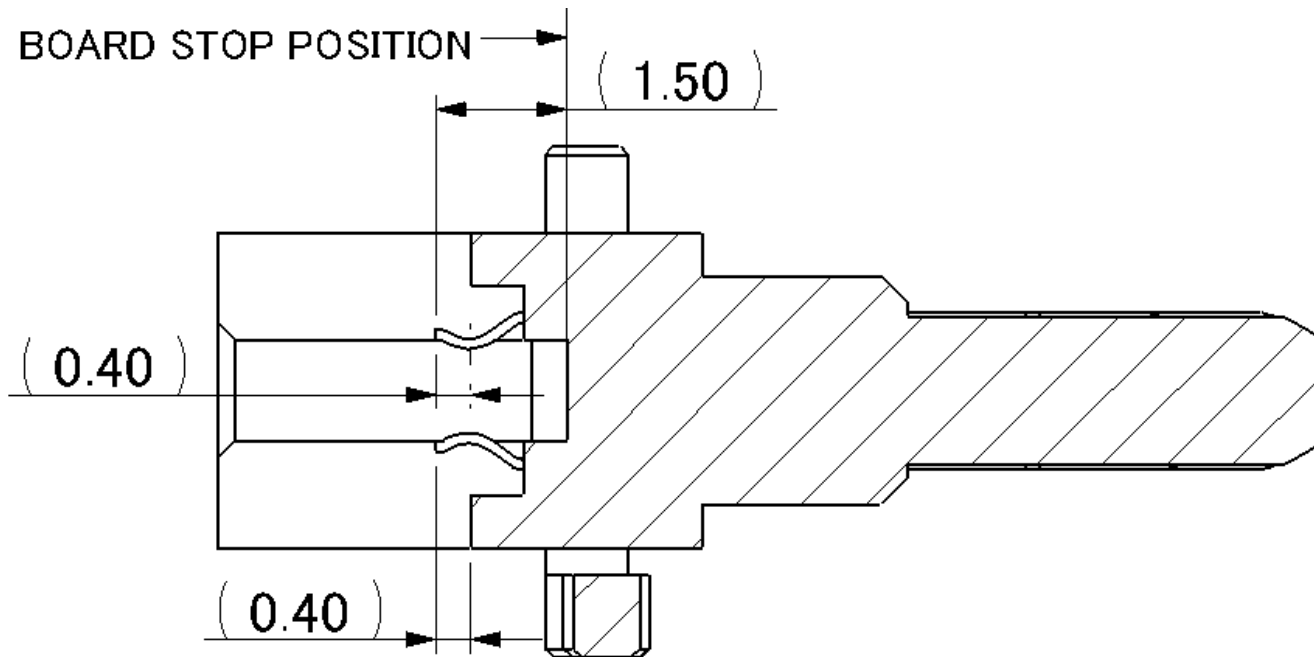
← Connector Cover mount by Screw

← Connector Reflow mount

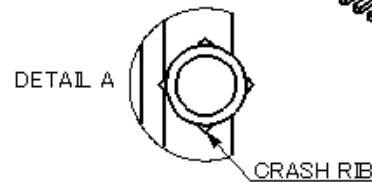
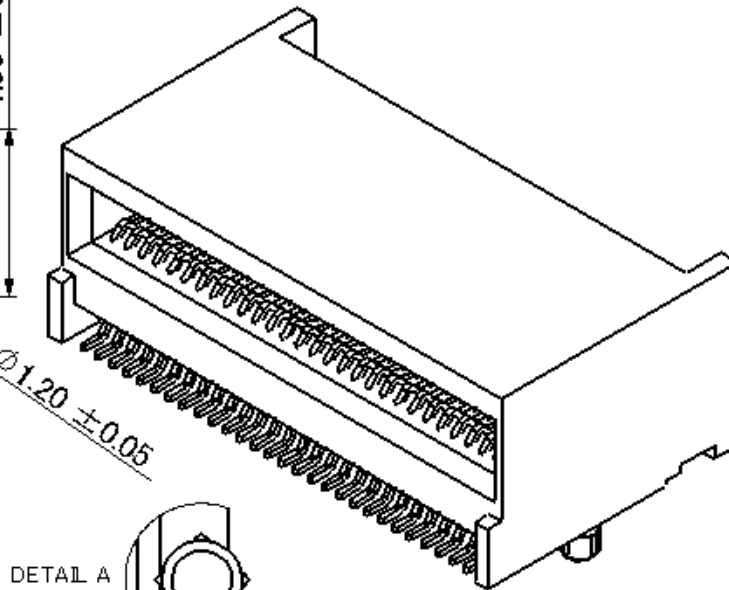
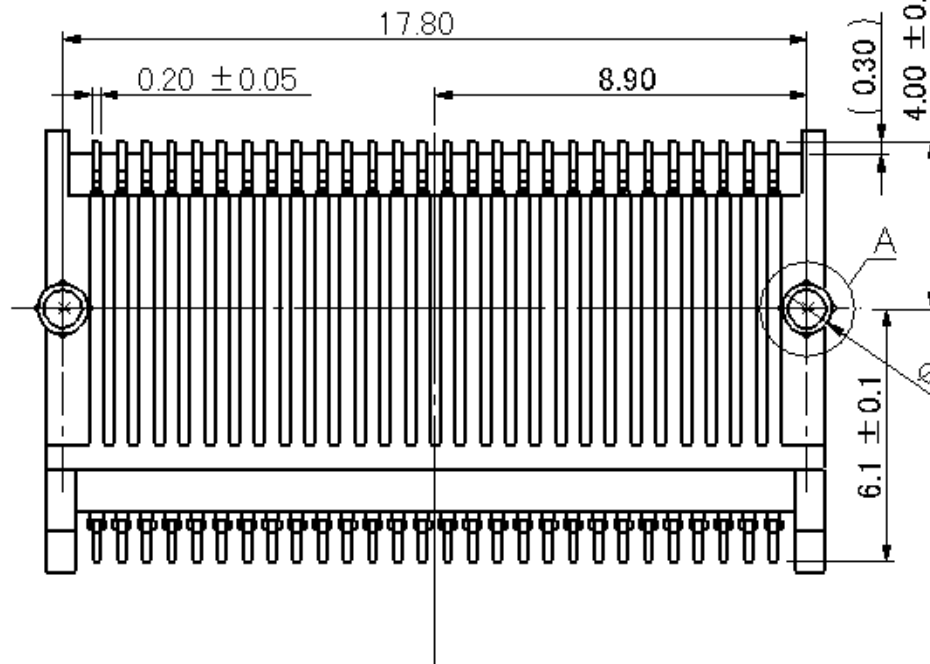
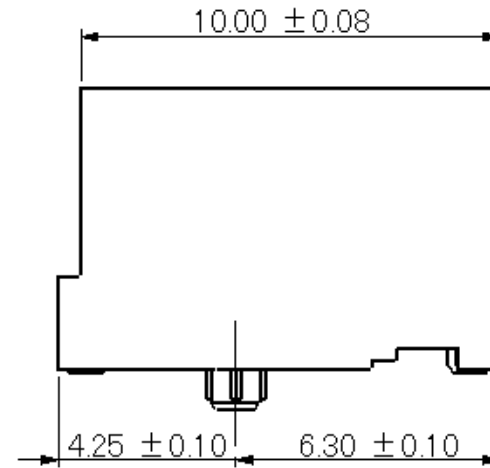
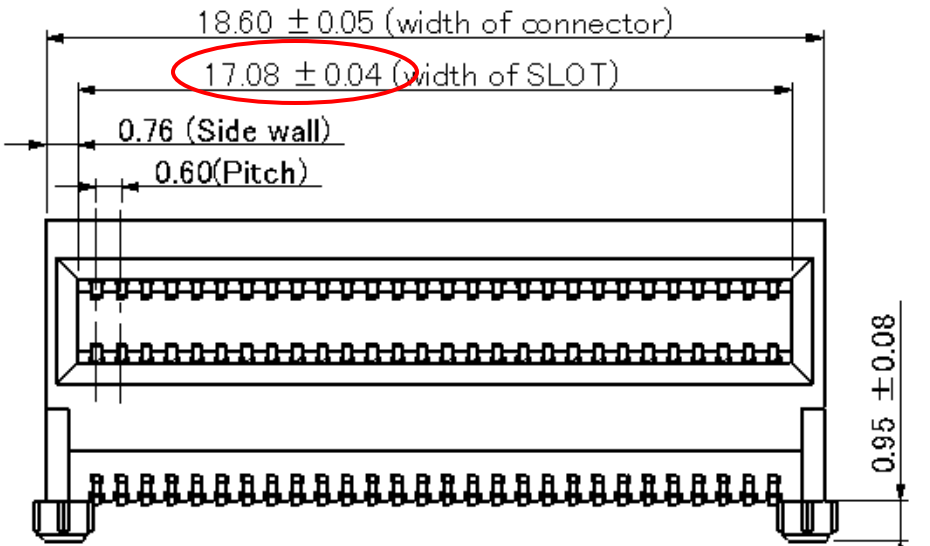
PLUG CONNECTOR DIMENSION



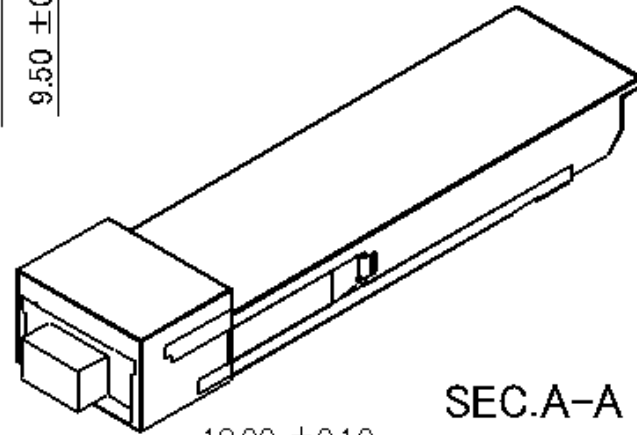
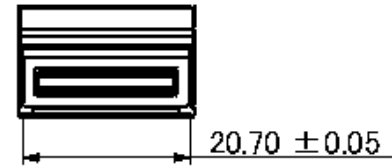
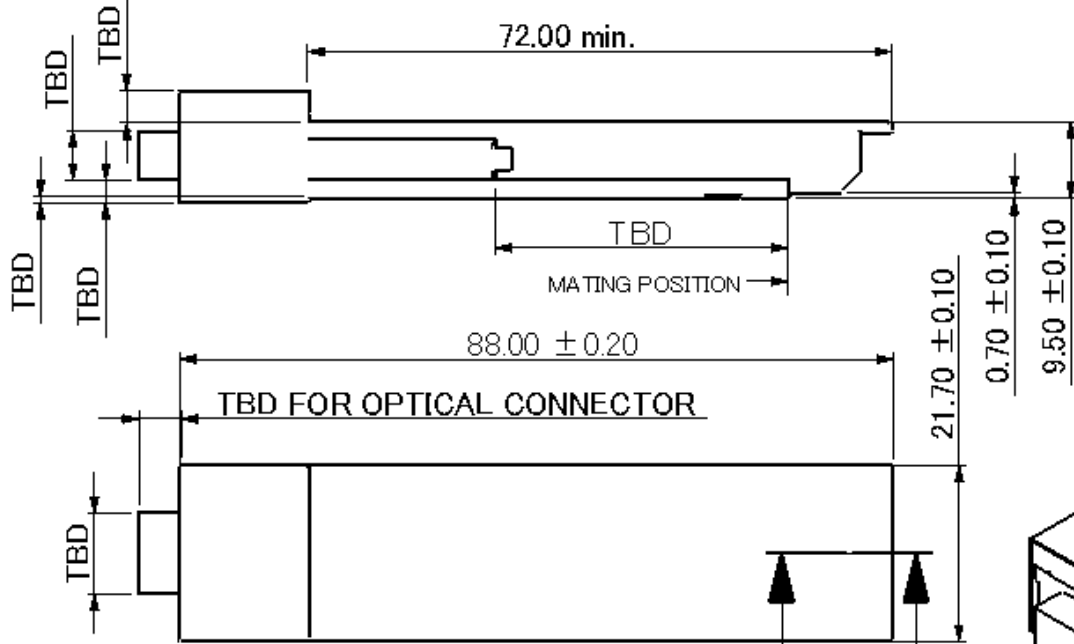
PLUG CONNECTOR DIMENSION



HOST CONNECTOR DIMENSION



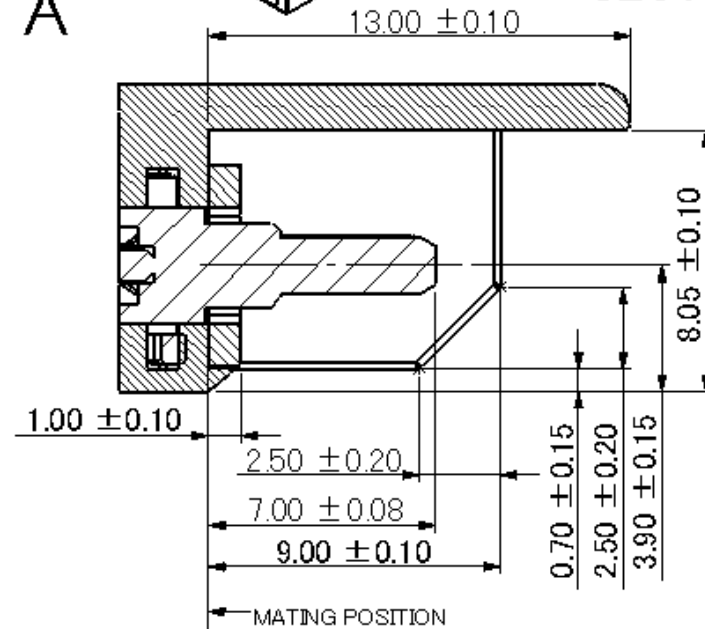
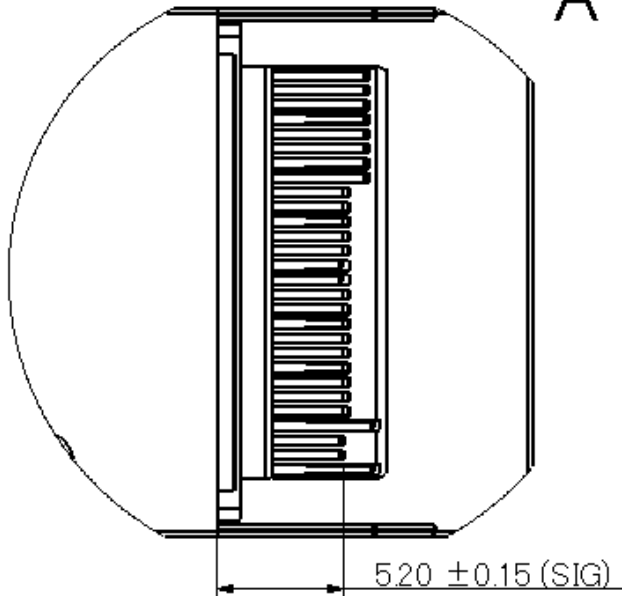
MODULE DIMENSION



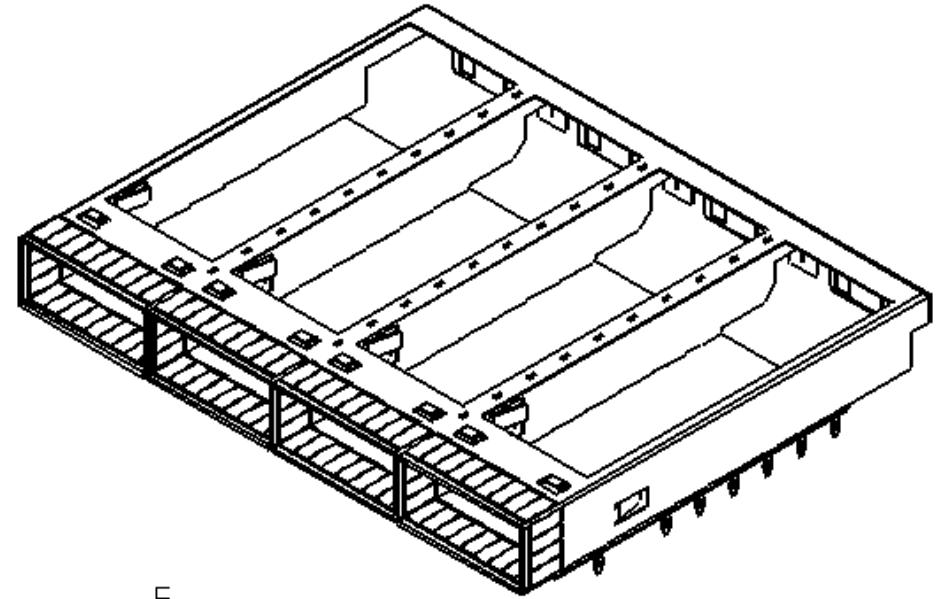
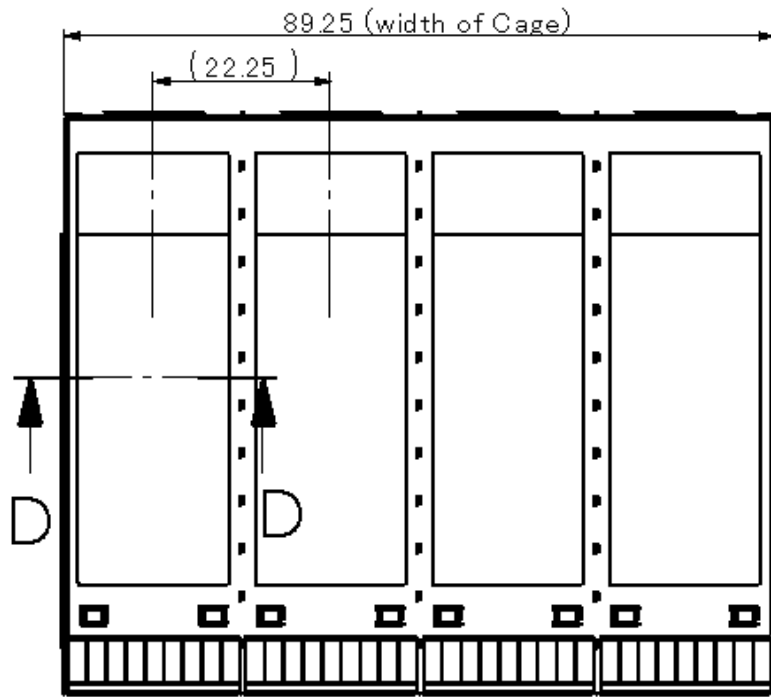
CONTACTS LENGTH of SIGNAL

A A

SEC.A-A

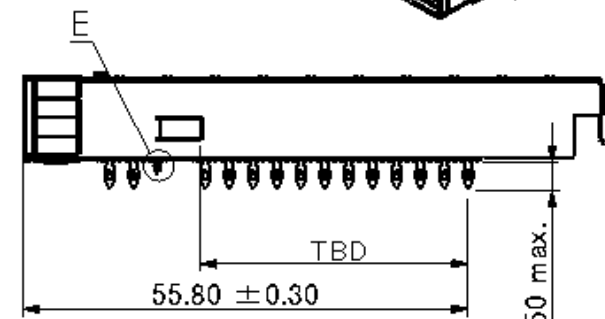
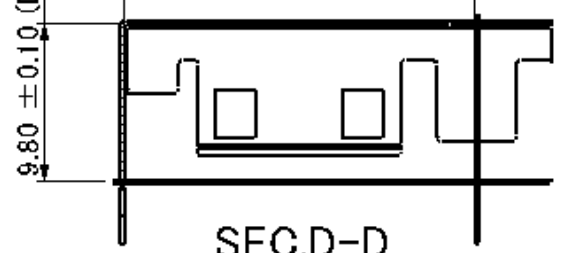


4 PORTS CAGE DIMENSION

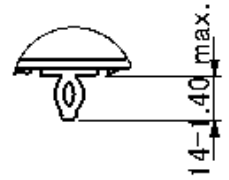


9.80 ± 0.10 (INSIDE OF CAGE)

22.00 ± 0.10 (INSIDE OF CAGE)

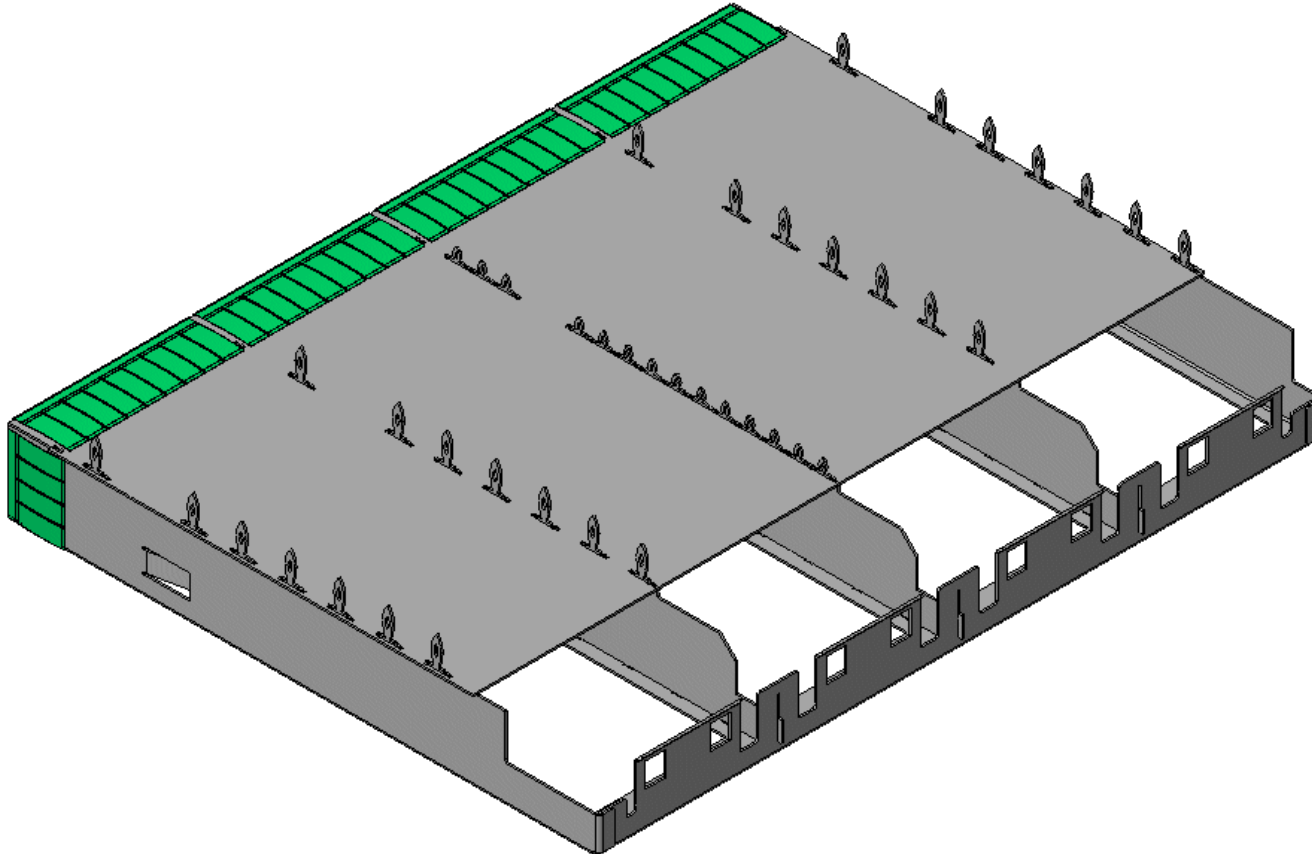


DETAILE
(PRESS FIT OF CENTER LOW)

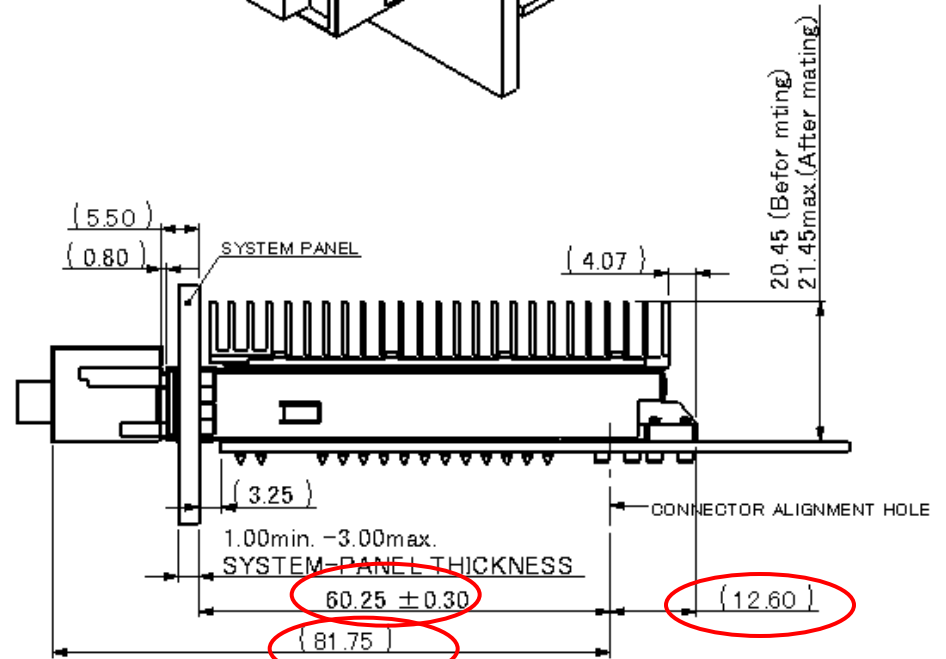
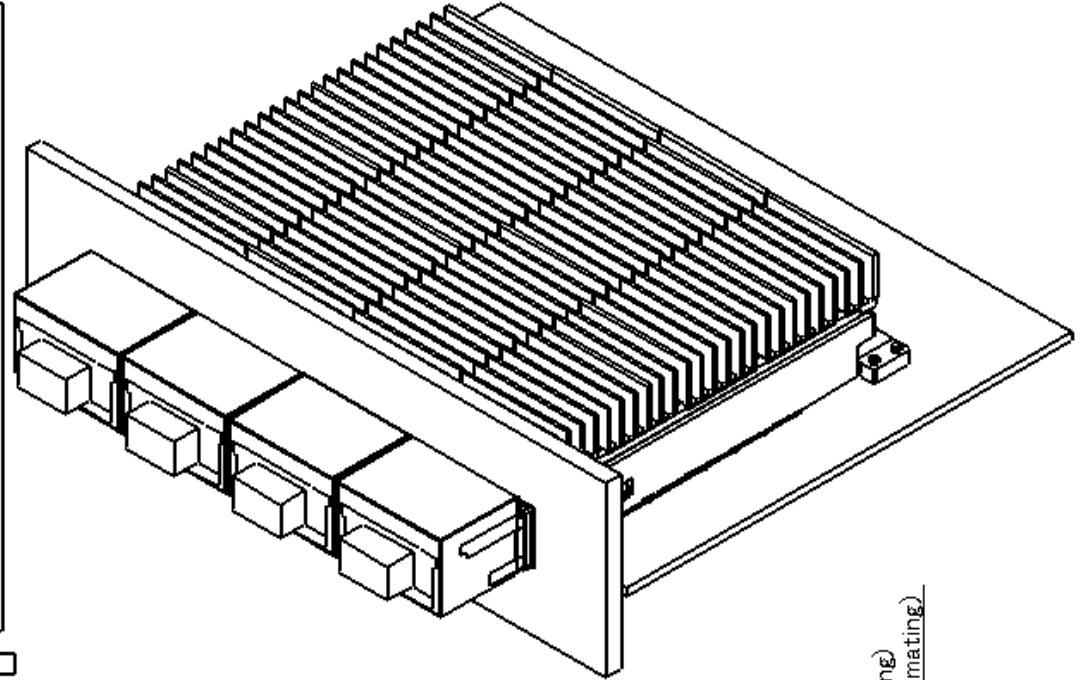
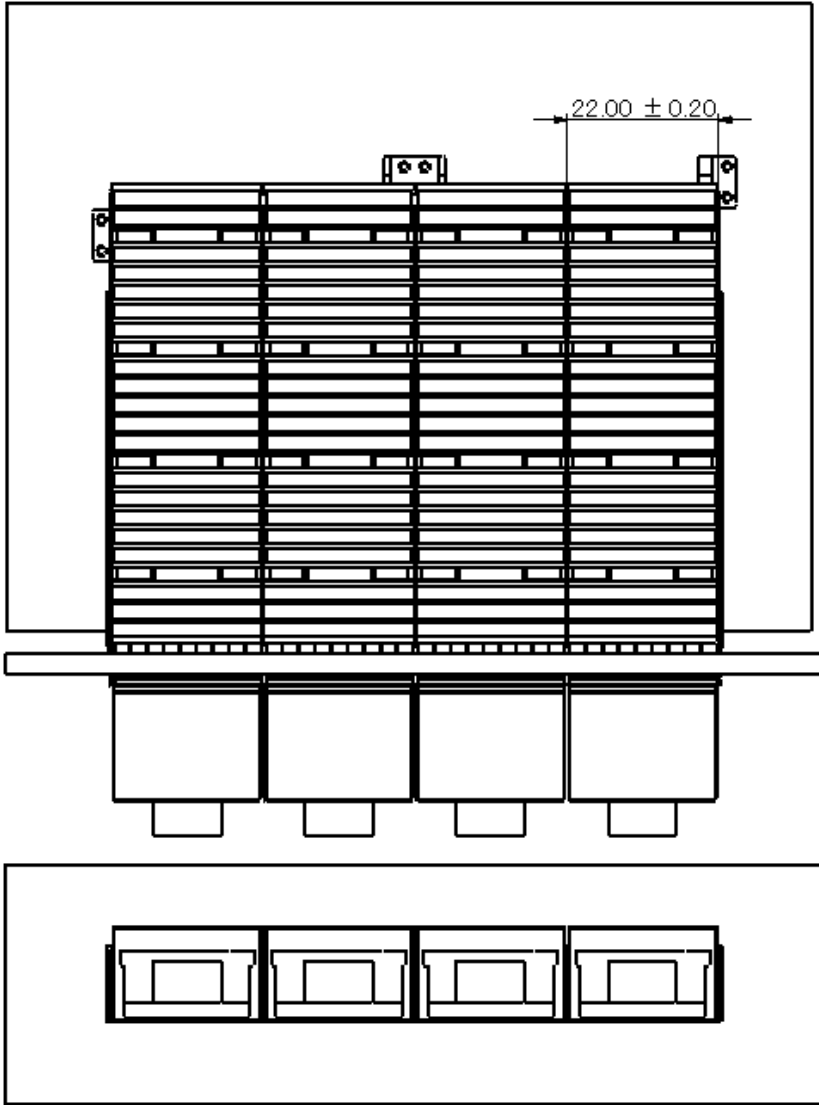


PRESS FIT TERMINAL SPECIFICATION:

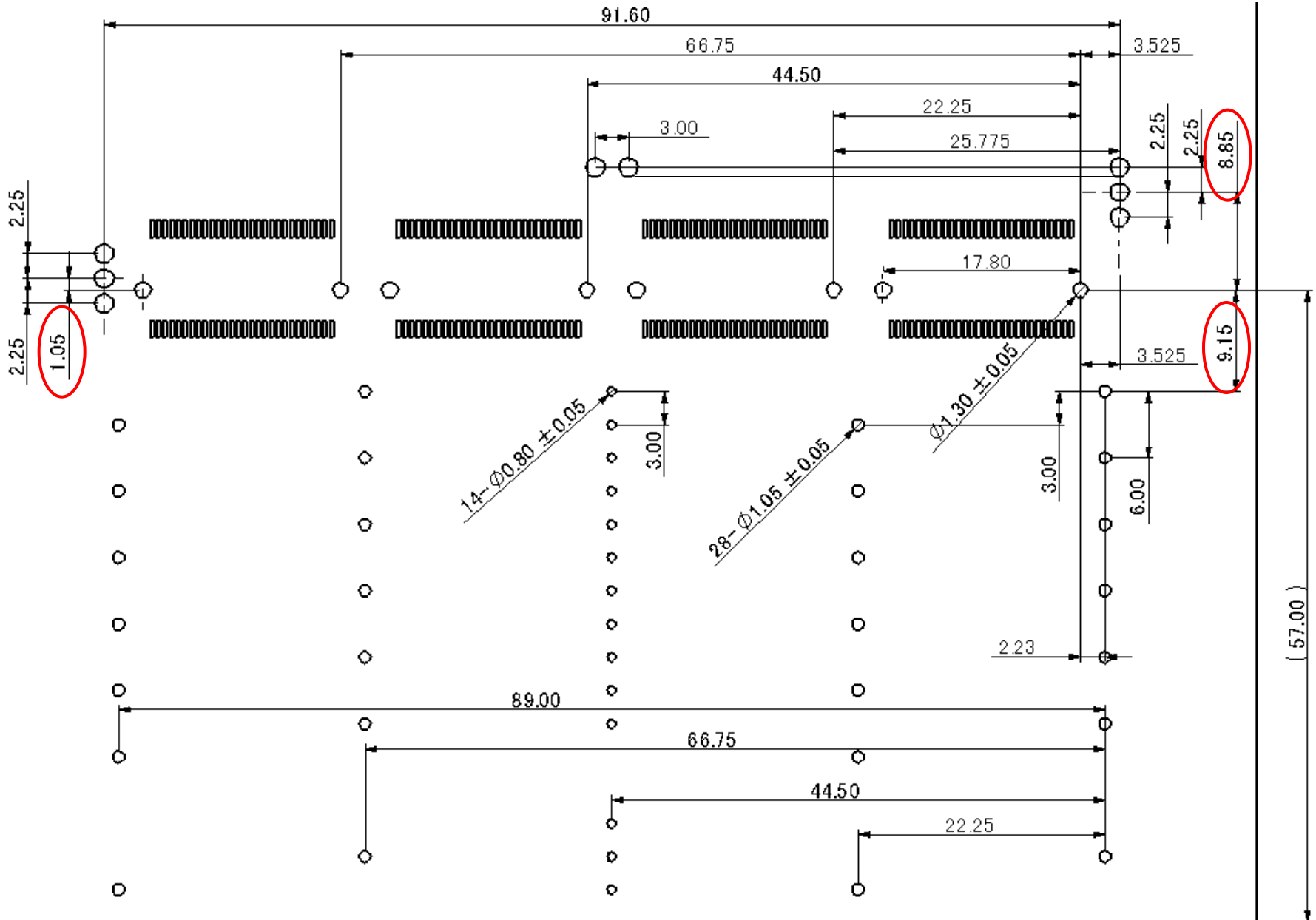
1. In case of CFP4 weight is 100gf, 800N force add to press-fit terminal with 4 modules at 200G's shock.
2. 28 terminals support 686N (24.5N/pin), and 14 terminals support 137N (9.8N/pin).
Total 823N is supported by all terminals.
3. Of course connector cover support 20-30% force of 800N.



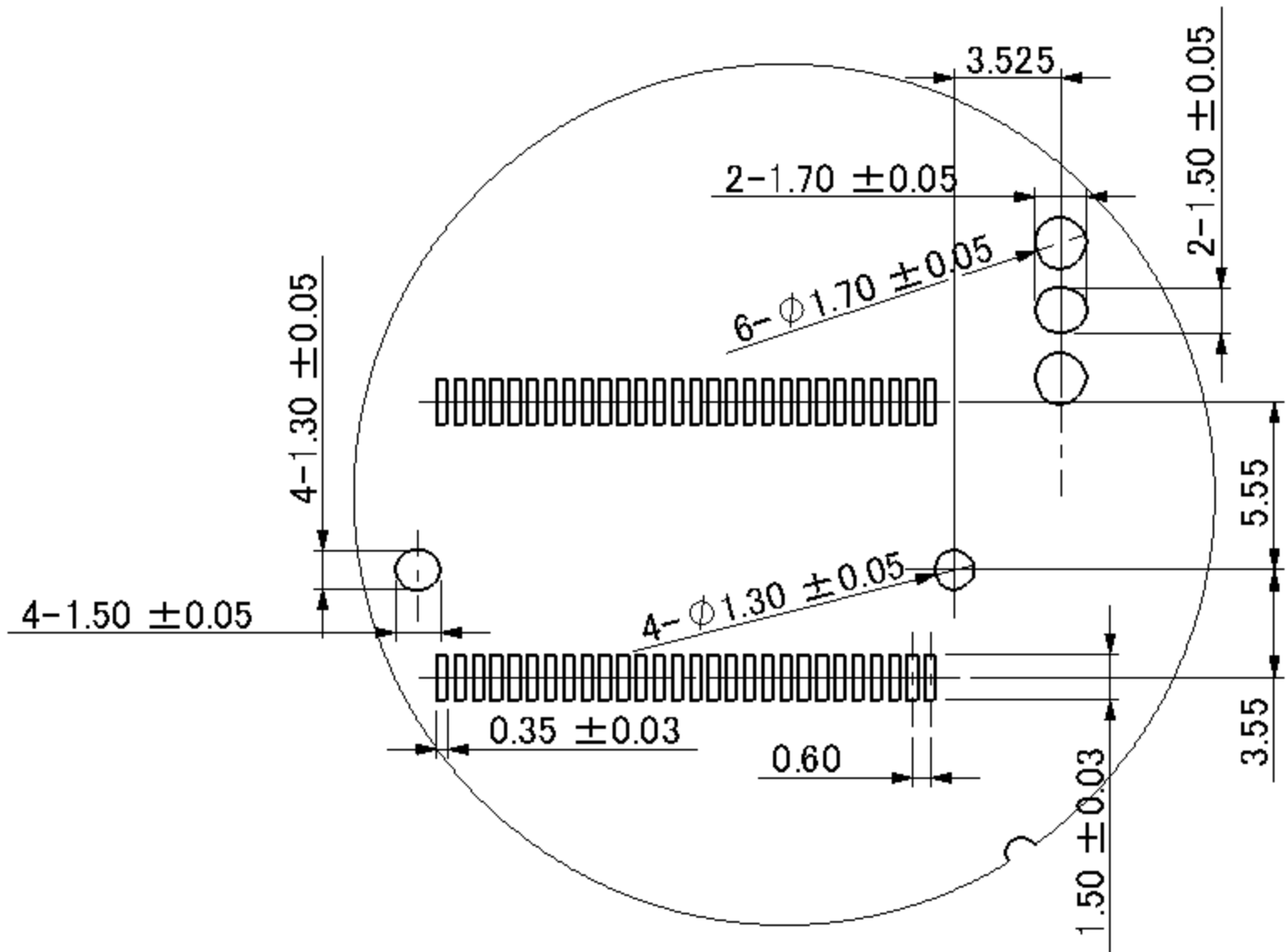
4 PORTS CAGE and COVER DIMENSION



HOST BOARD DIMENSION

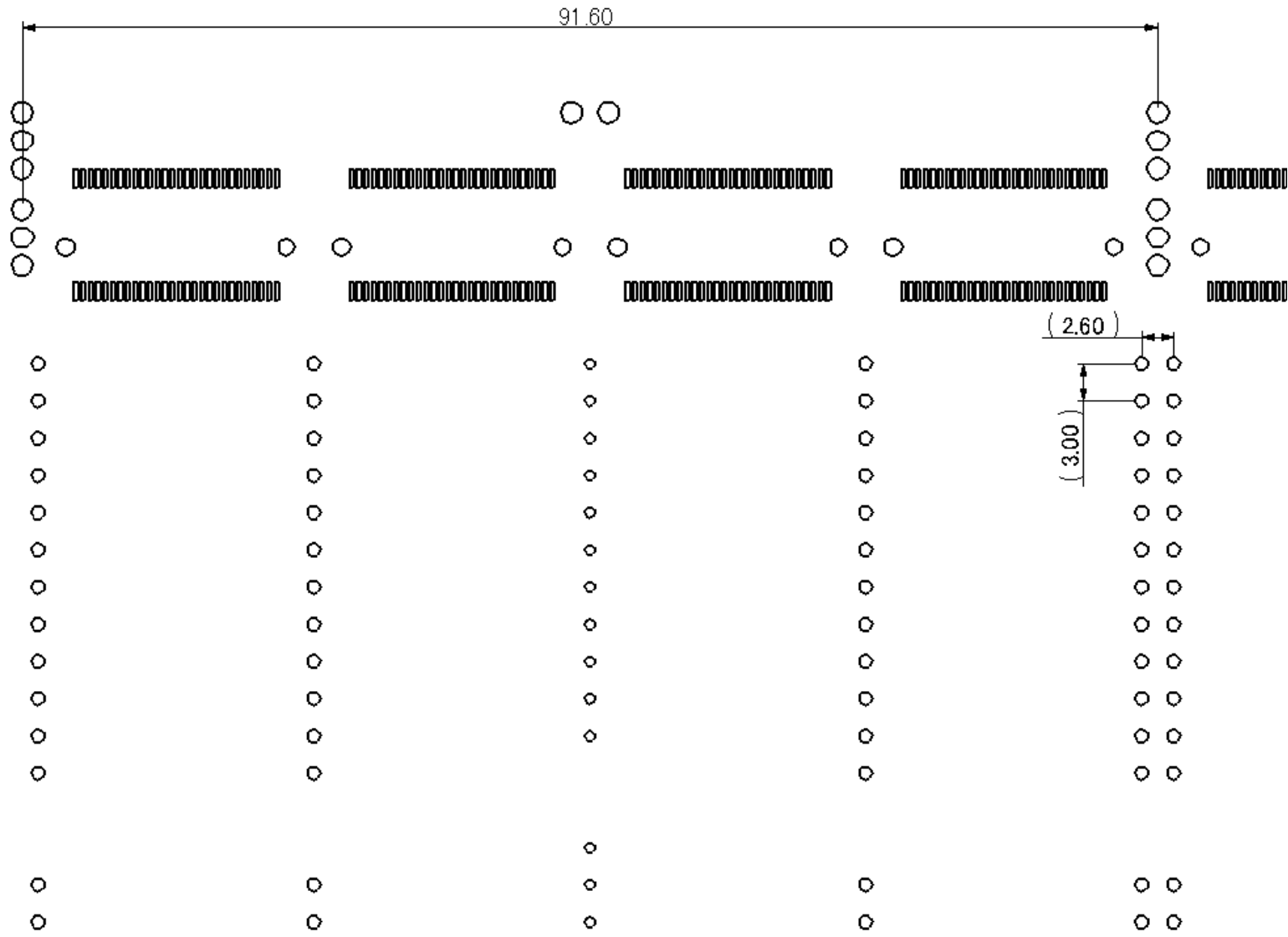


DETAIL OF HOST BOARD DIMENSION

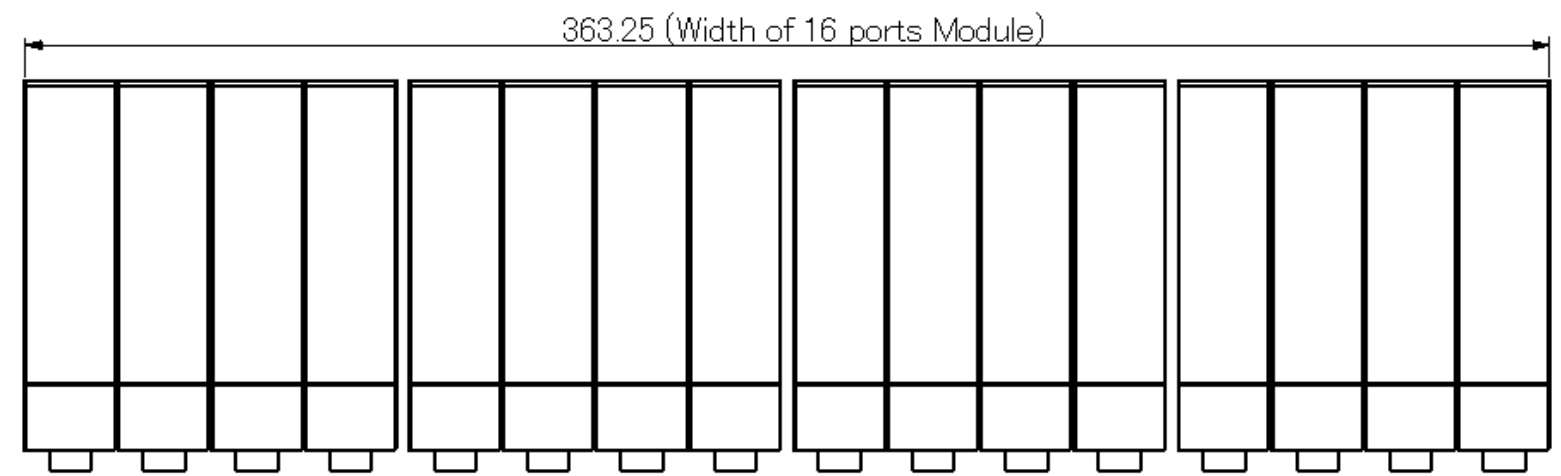
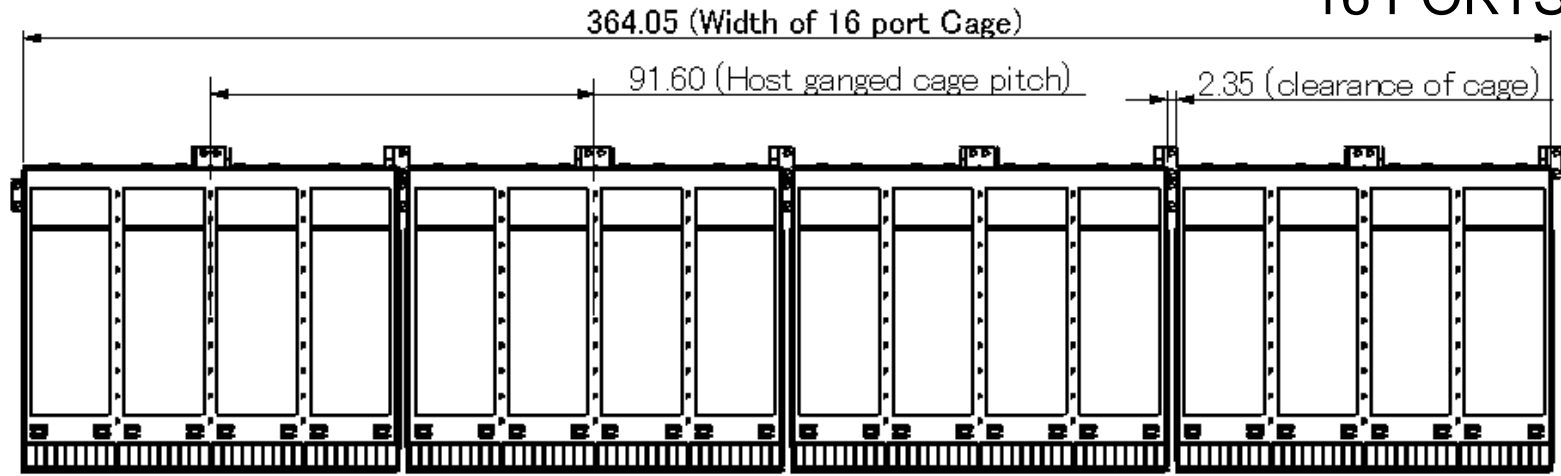


HOST BOARD DIMENSION of BELLY to BELLY

Thickness of Belly to Belly Host Board is more than 3.0mm

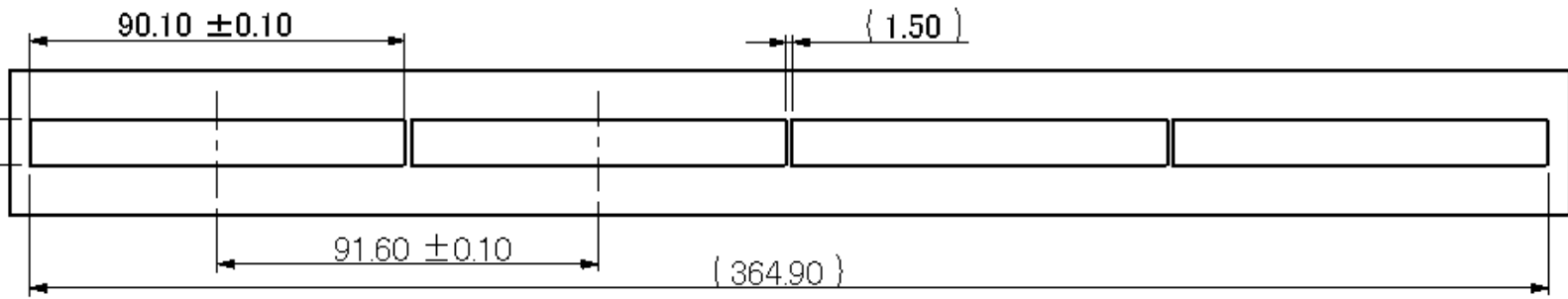


16 PORTS DIMENSION



CFP4 (MODULE)

11.15 ±0.10



SYSTEM PANEL